

Harness, Side Rail, Bed, LH (Remove and Replace)

Labor Code: 787026010

Important:

This manual is written for professional automotive technicians who have received high voltage training. It is the technician's responsibility to make sure that the vehicle is safe to work on before beginning inspections or repairs, and to perform all work in a safe manner and in a safe work environment. Refer to the [Introduction](#) section for additional important information.

Tip:

[View the connector locations page for additional information.](#)

Removal

1. Remove: [Trim Panel, Bed, LH \(Remove and Reinstall\)](#).
2. Remove: [Trim Panel, Bed, Upper, LH \(Remove and Replace\)](#).

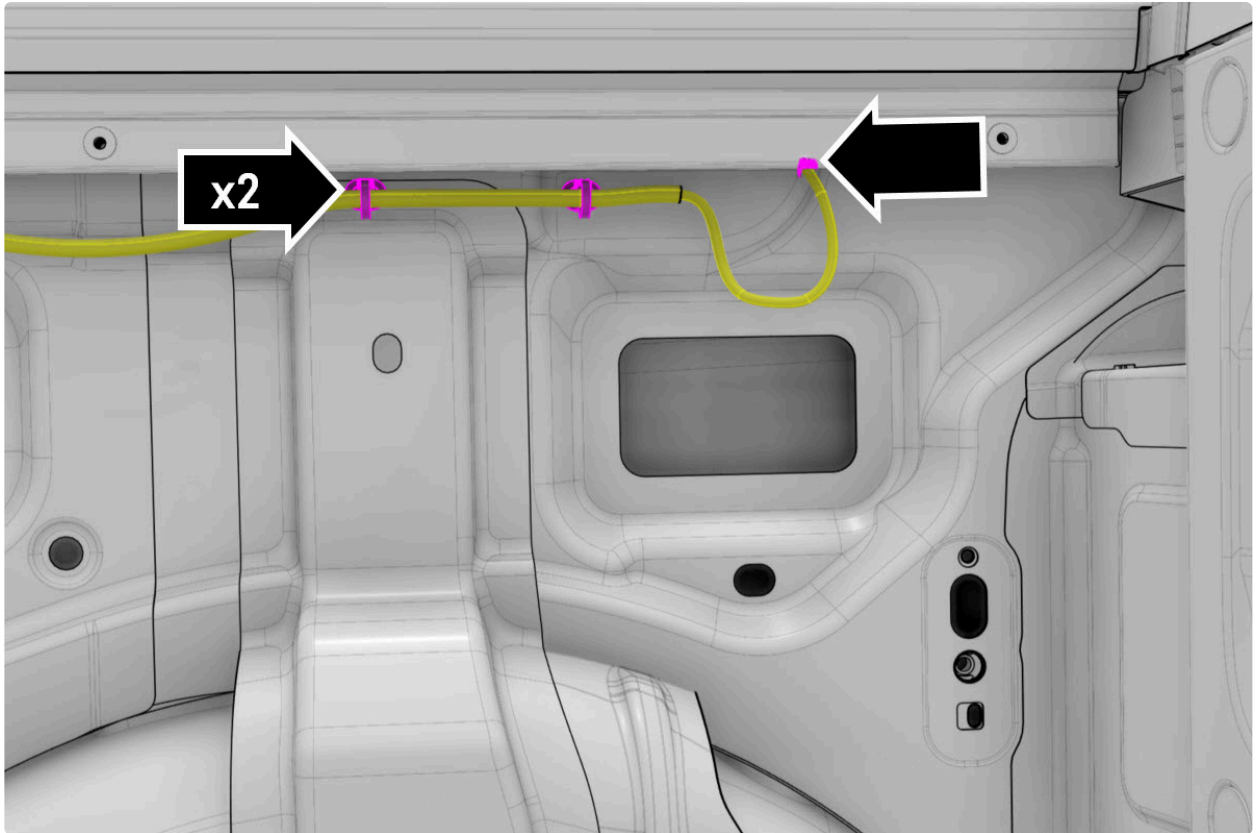
Note:

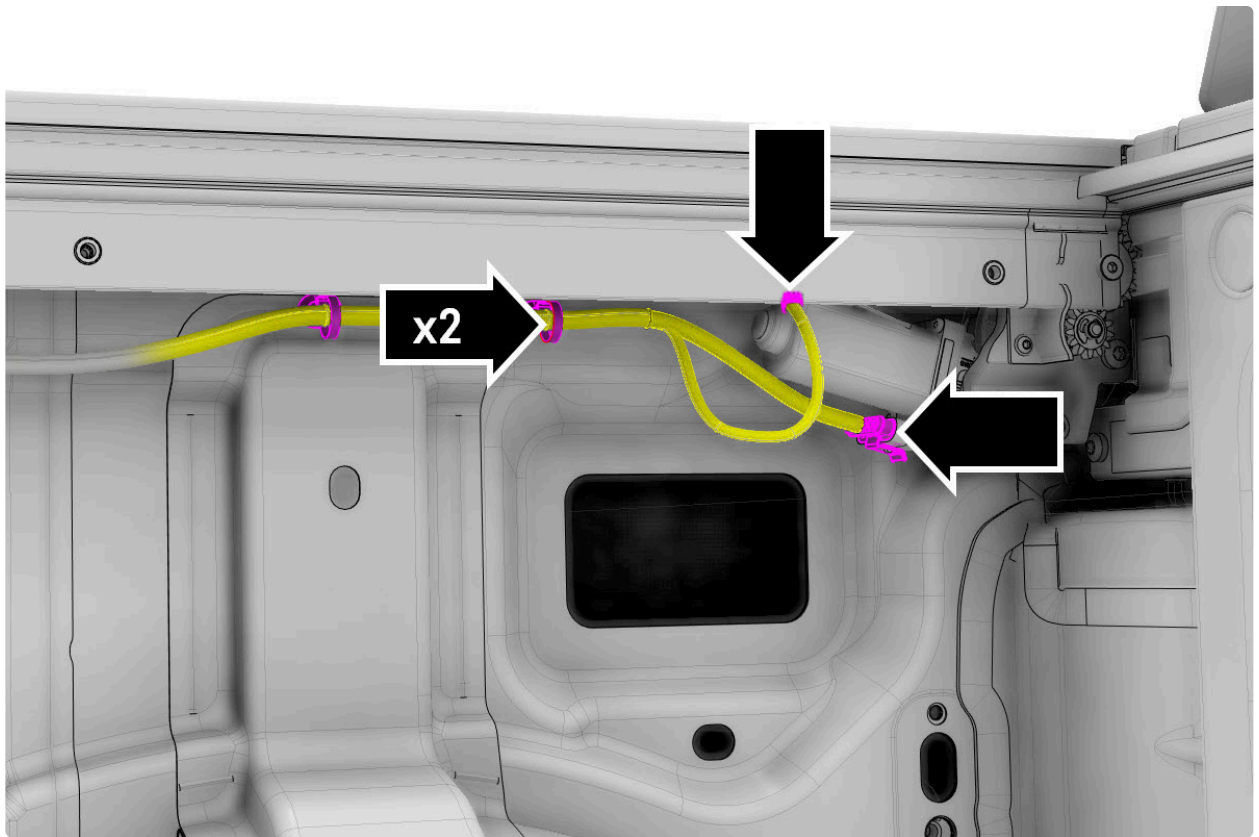
The component is typically not reusable. It is likely to be damaged during removal.

Note:

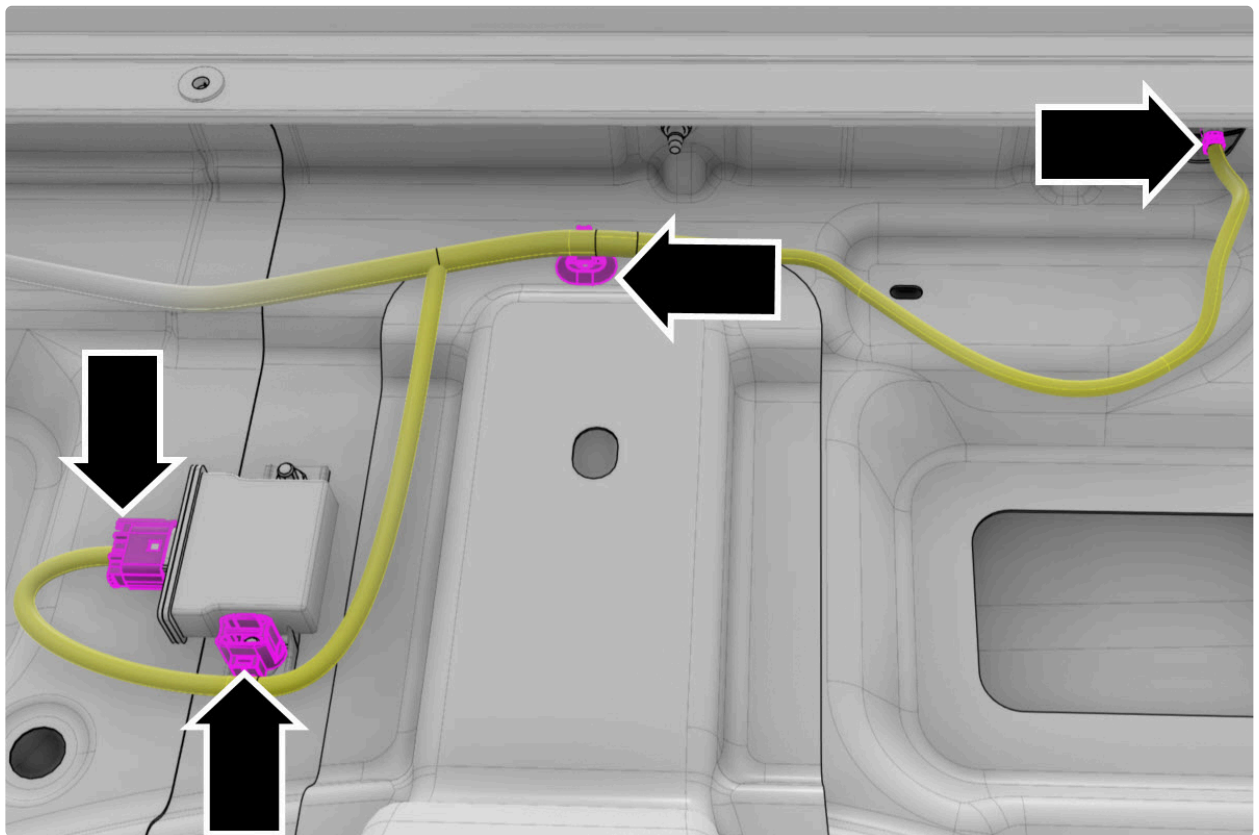
Shown with components removed for clarity.

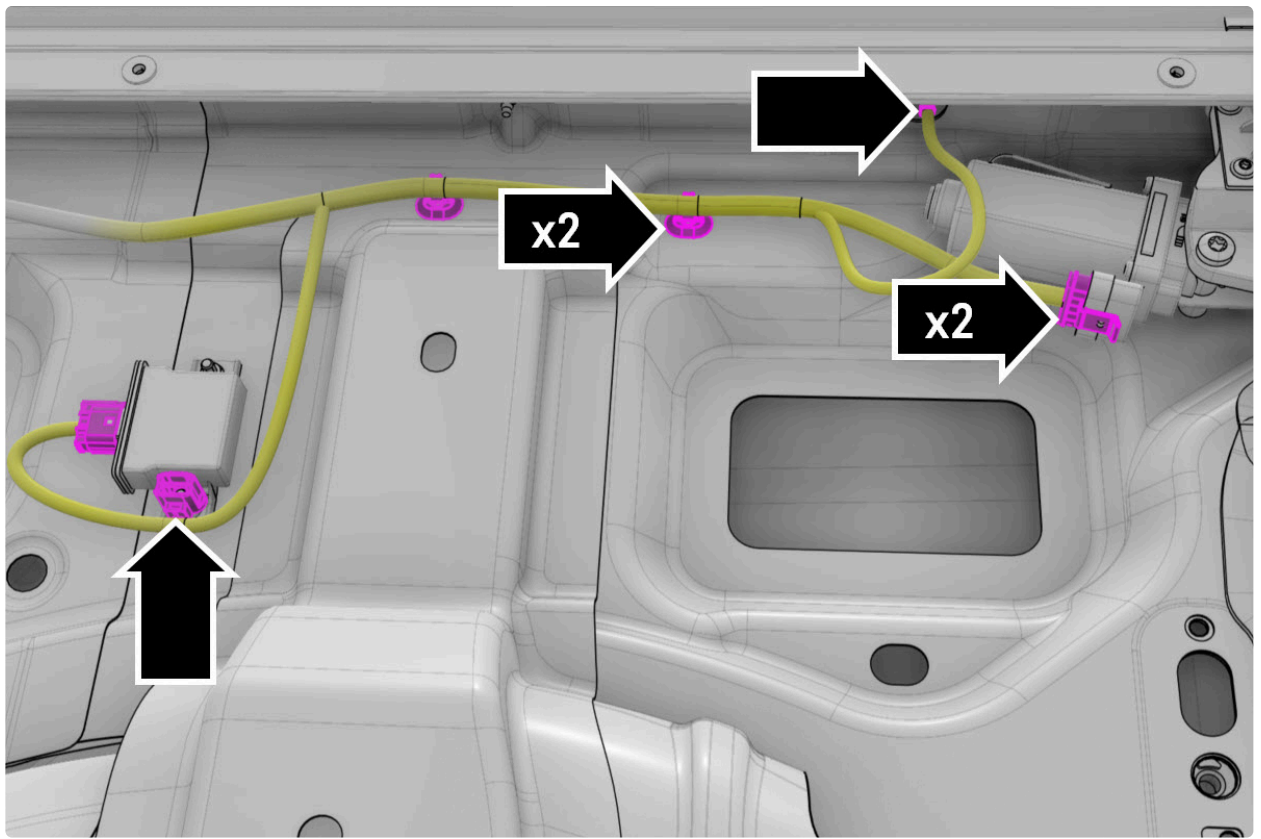
3. Model year 2022-2024 vehicles: One of the following:



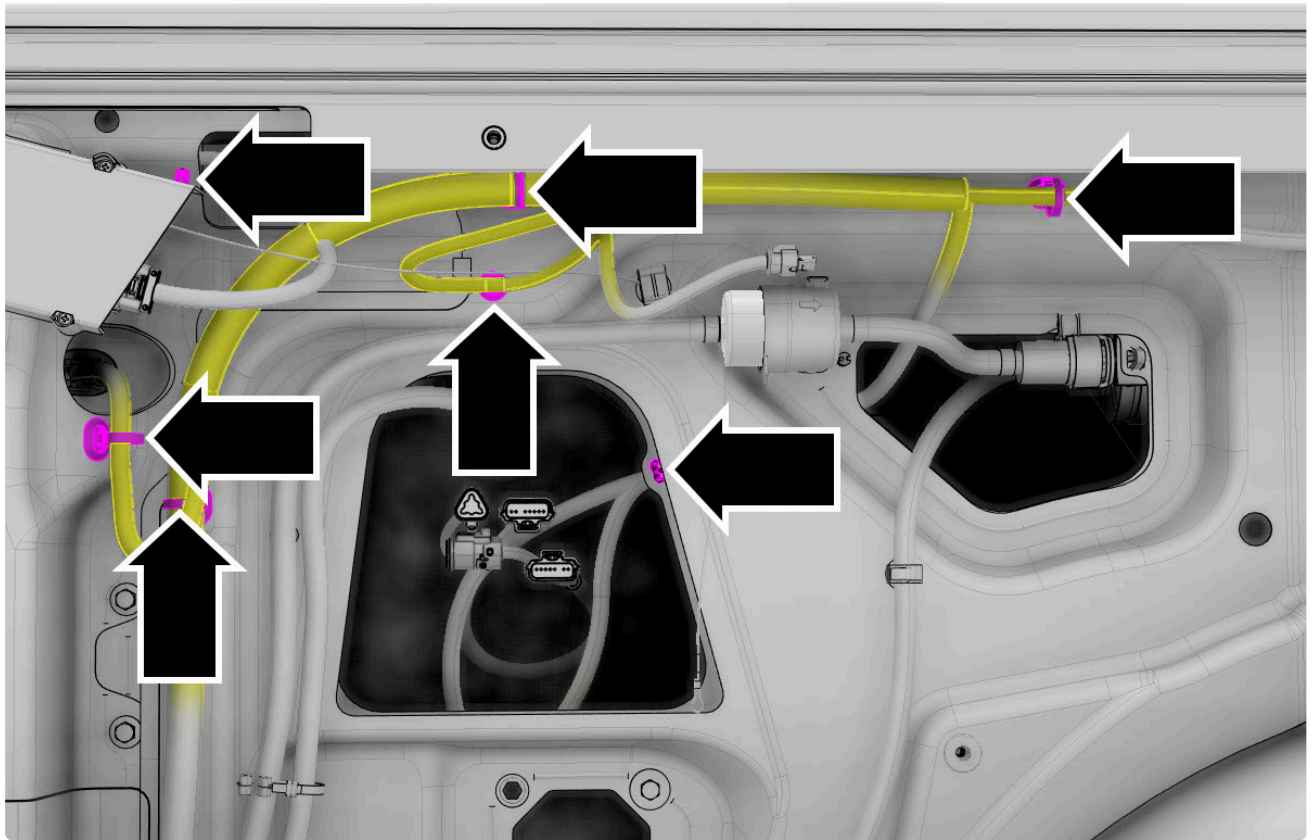


4. Model year 2025+ vehicles: One of the following:

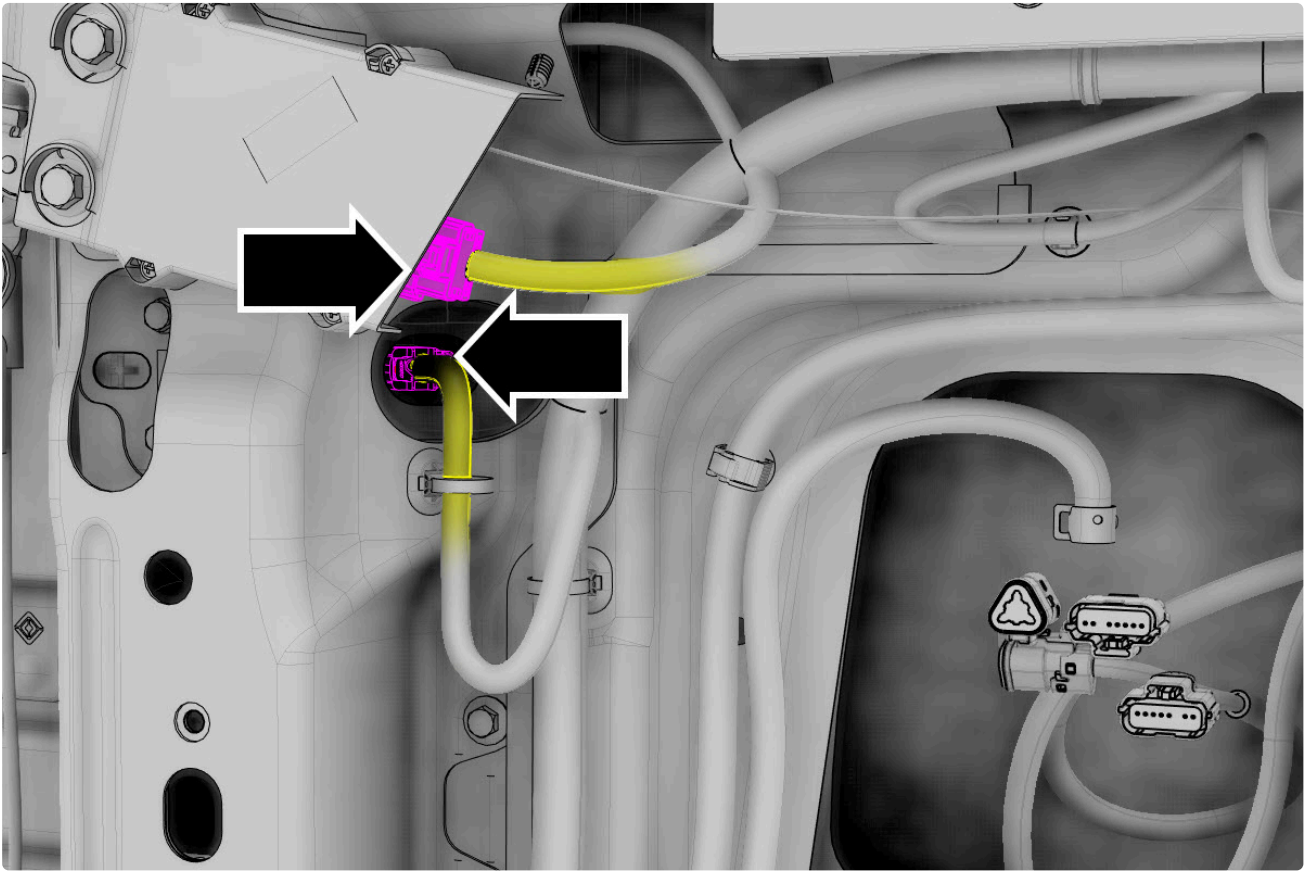




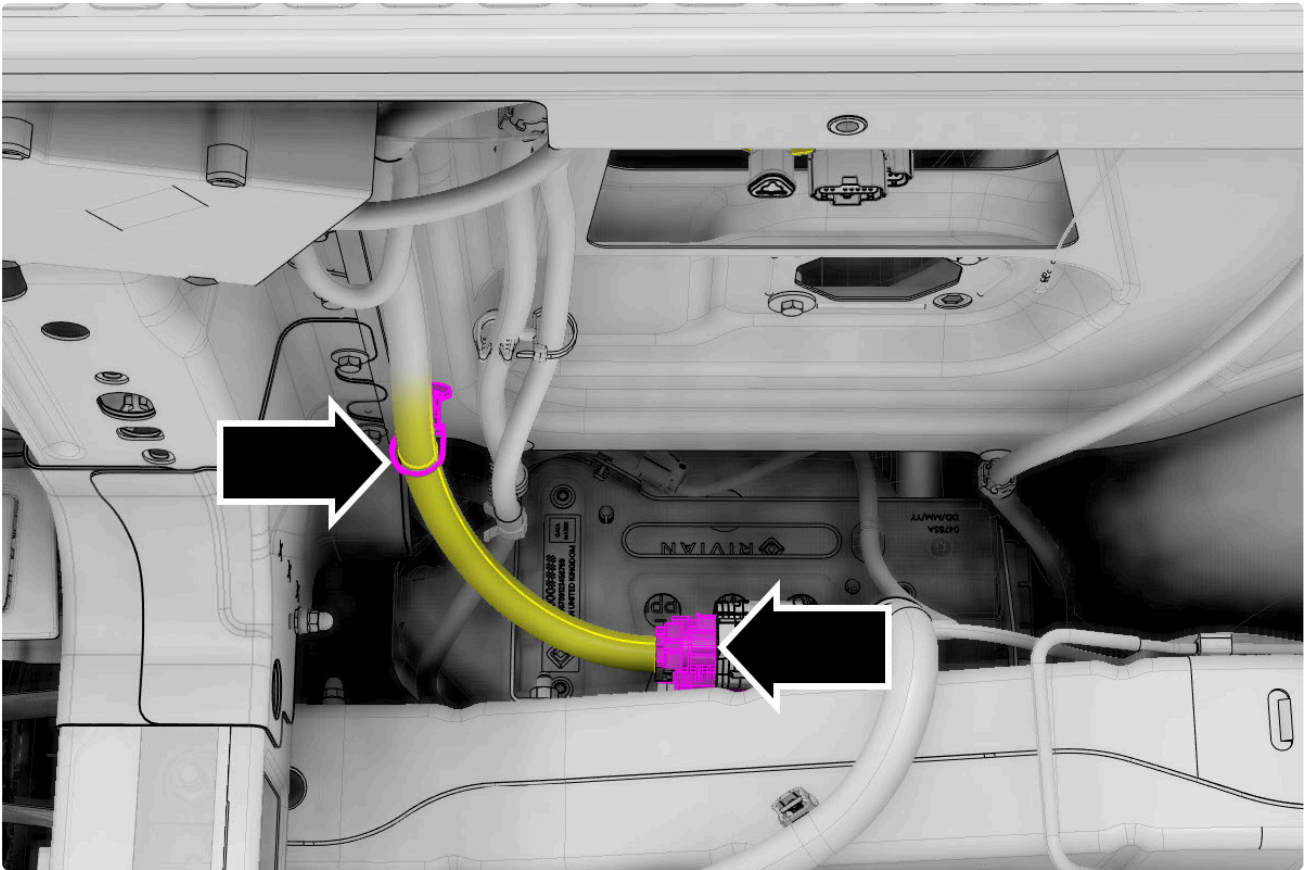
5.



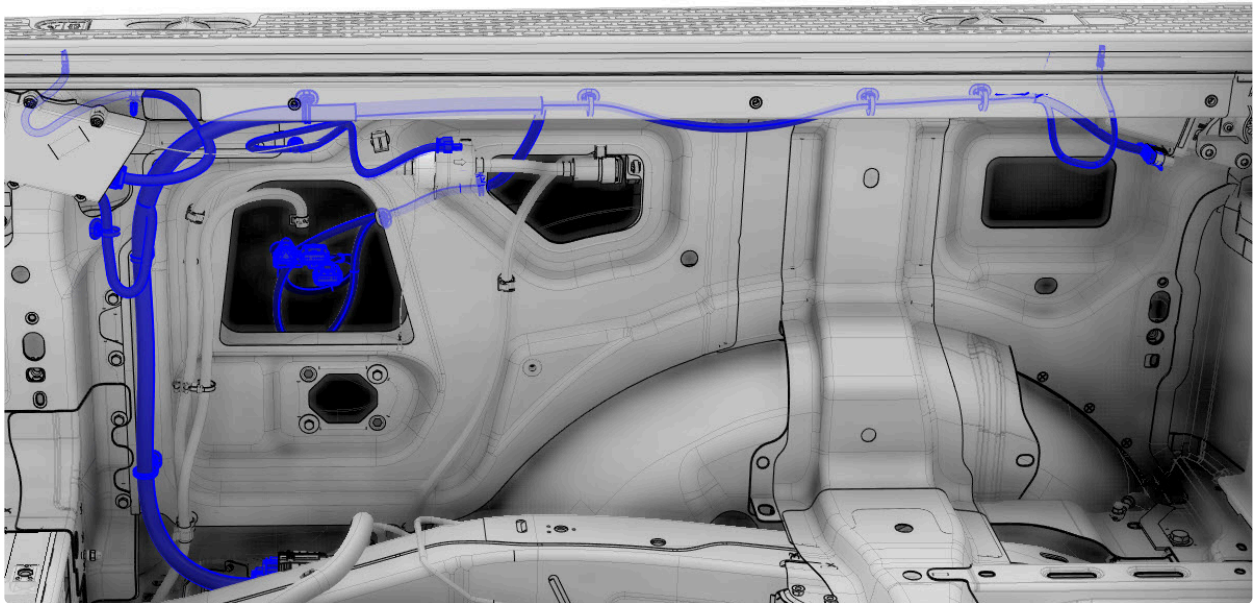
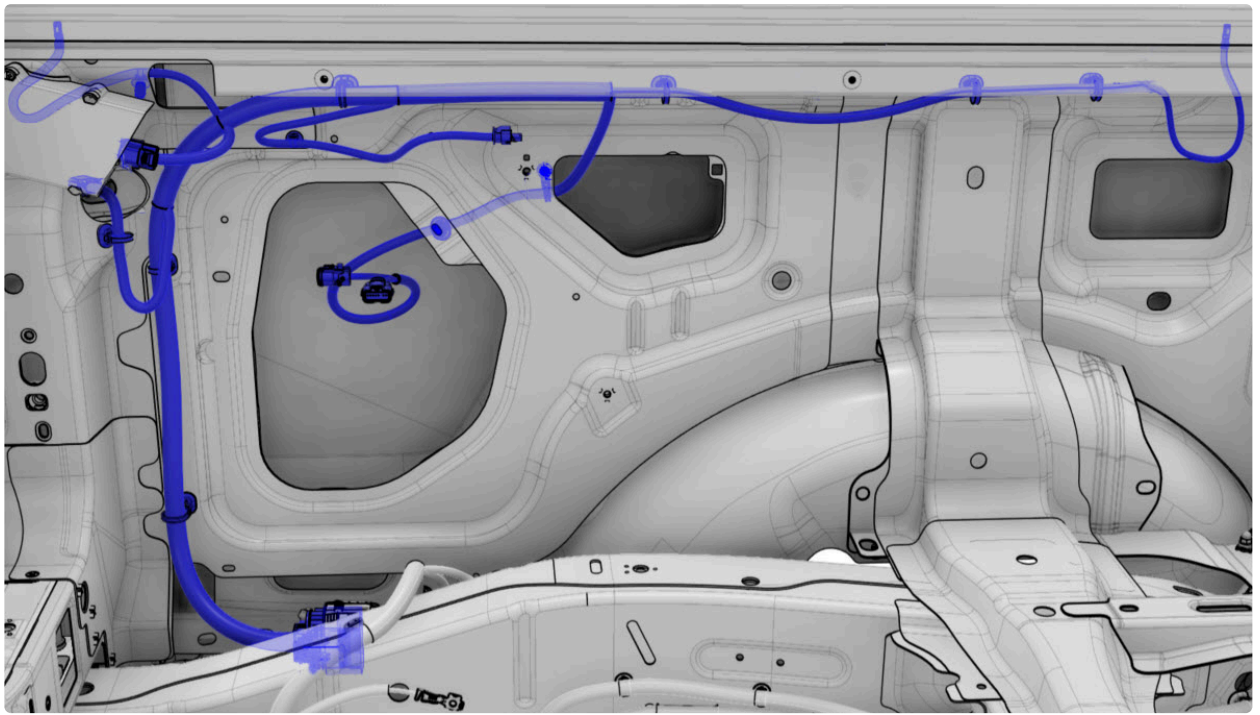
6.



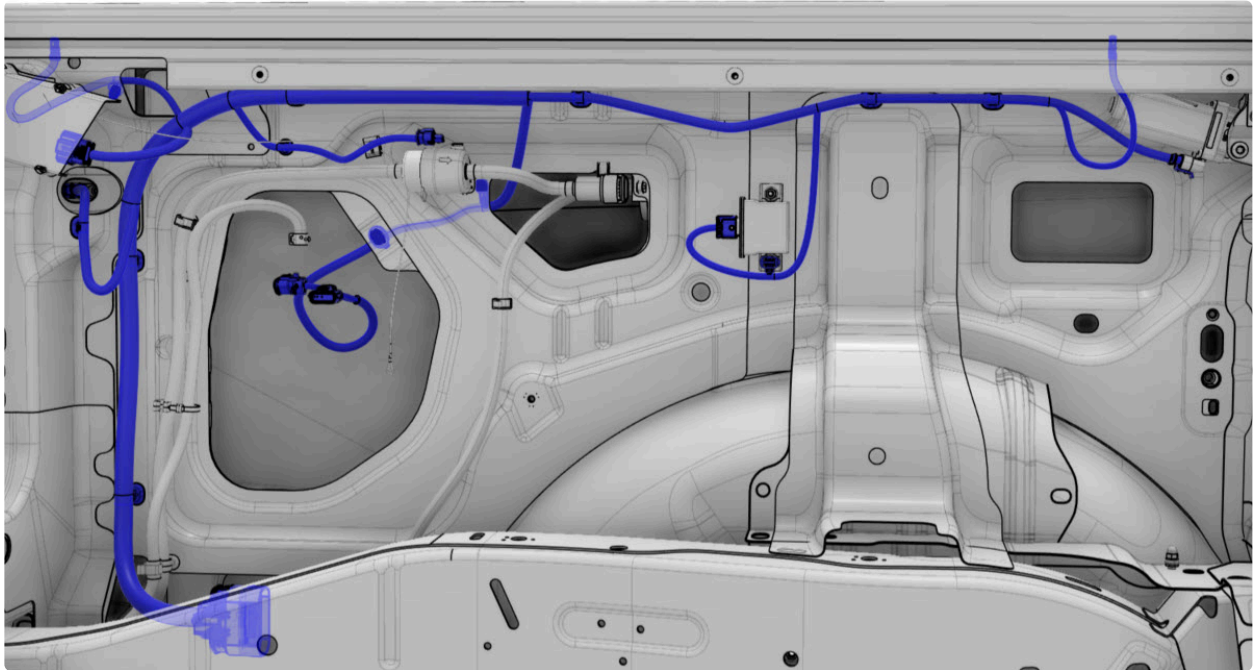
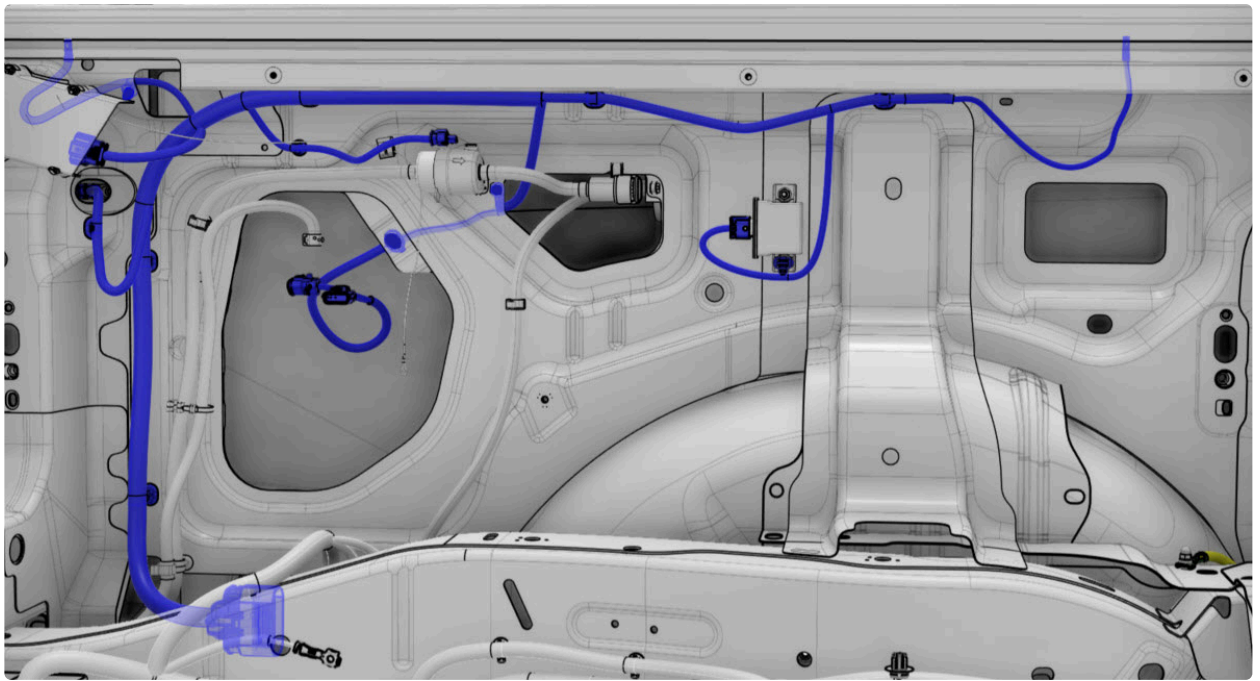
7.



8. Model year 2022-2024 vehicles: One of the following:



9. Model year 2025+ vehicles: One of the following:



Installation

Installation is the reverse of removal.