

# Image Conventions

## Introduction

Rivian's service information follows the Society of Automotive Engineers (SAE) J2892 recommended practice for graphics-based service information.

Steps are described using images. Text is included only as needed for clarification, or to describe non-standard techniques. Many steps have only images.

Minor components in the background of an image are sometimes removed for clarity. If major components are removed from an image for clarity, the step includes the following note:

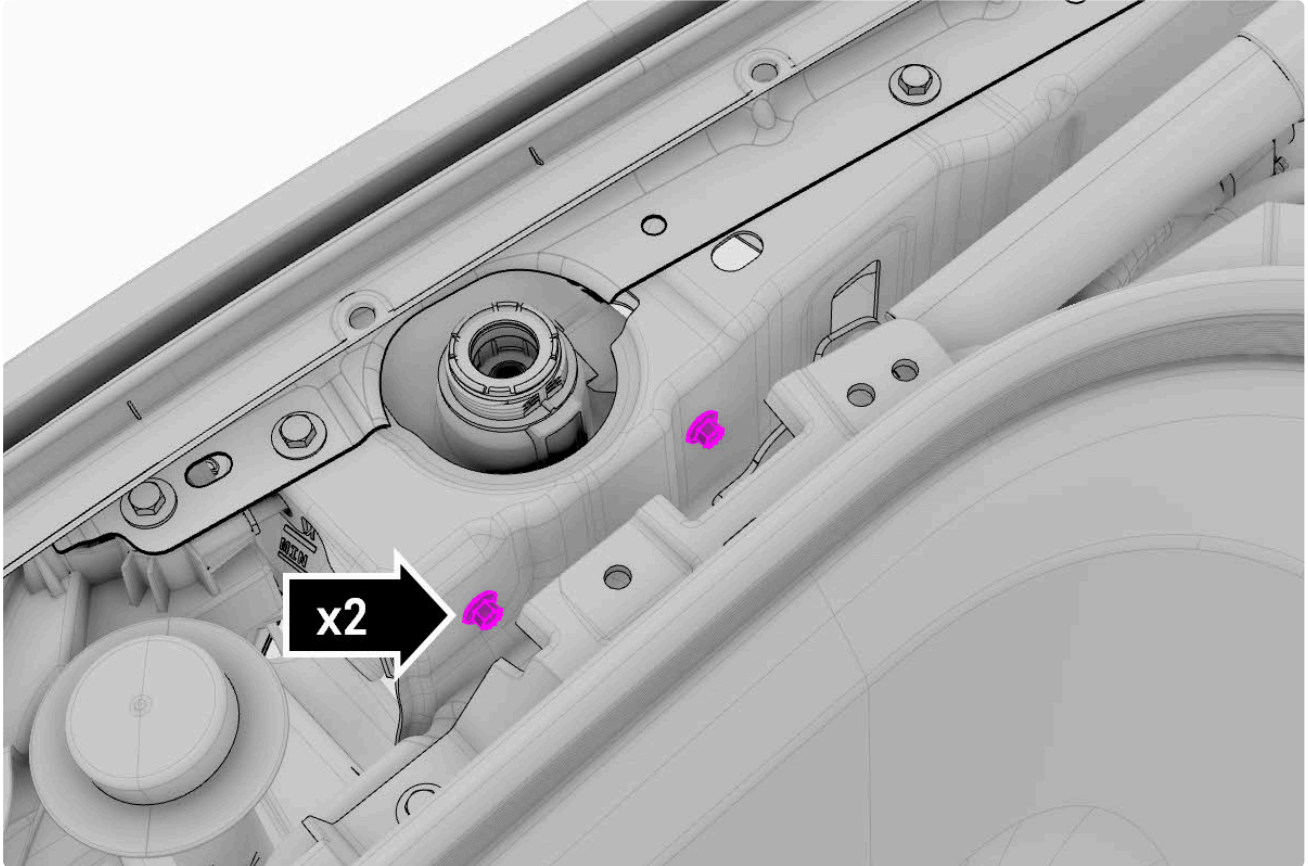
**Note:**

Shown with components removed for clarity.

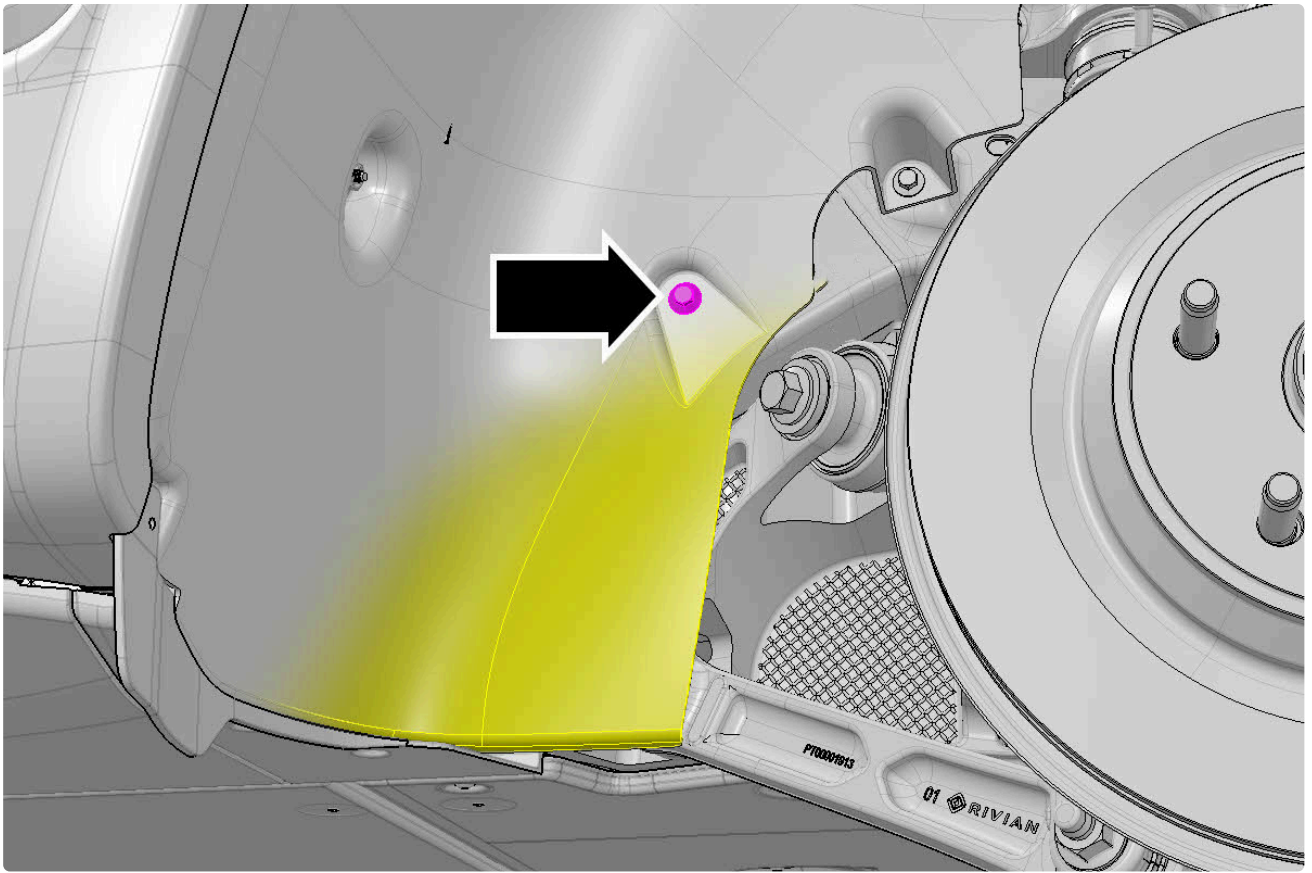
Components that are not shown in an image might not need to be removed to complete the task. Remove components only as directed in the procedure.

## Color Definitions

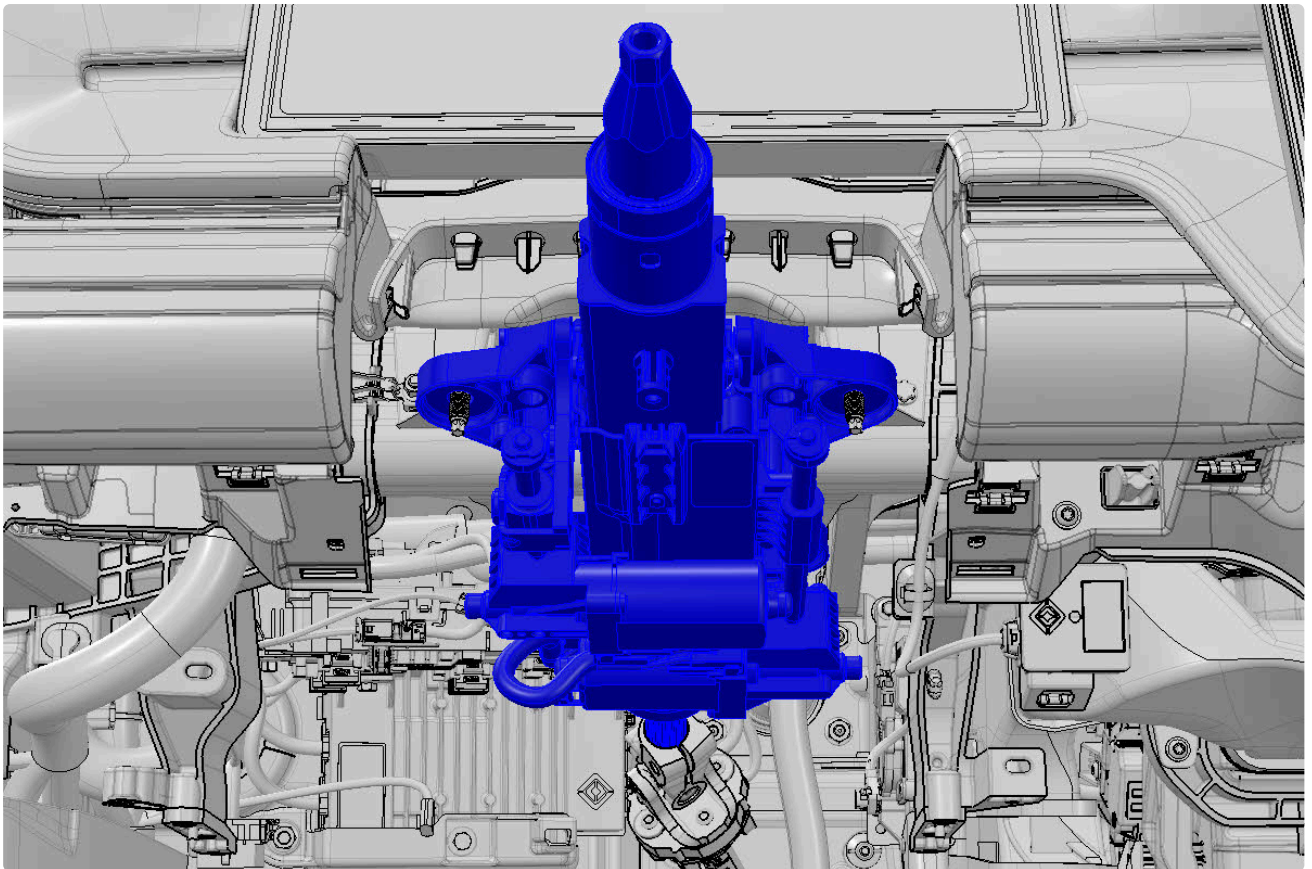
- Magenta: A fastener, retainer, or electrical connector to be removed or disconnected.



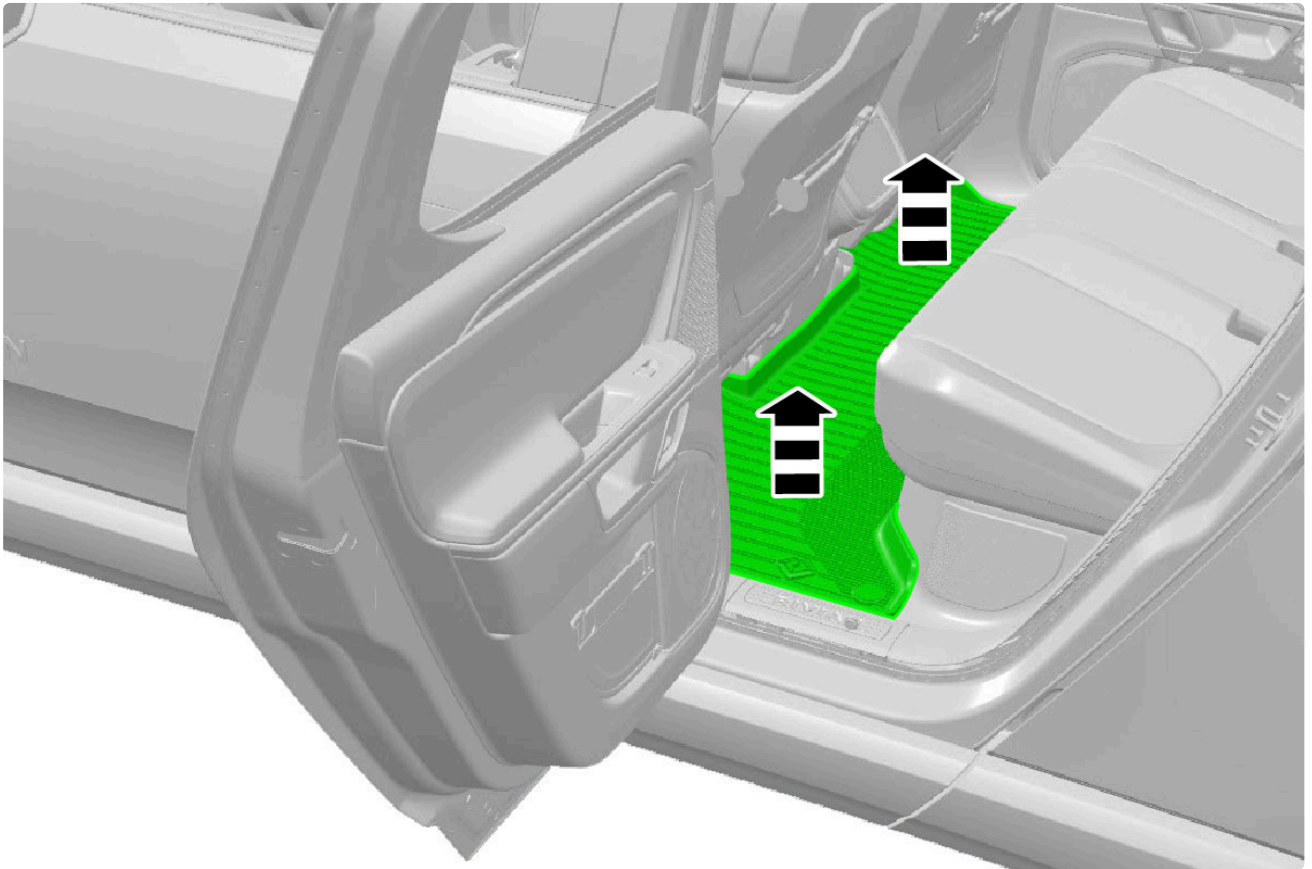
- Yellow: Move or pull back a component. A dashed arrow may show the direction to move the component. If there is no dashed arrow, pull back or move the highlighted area out of the way for access.



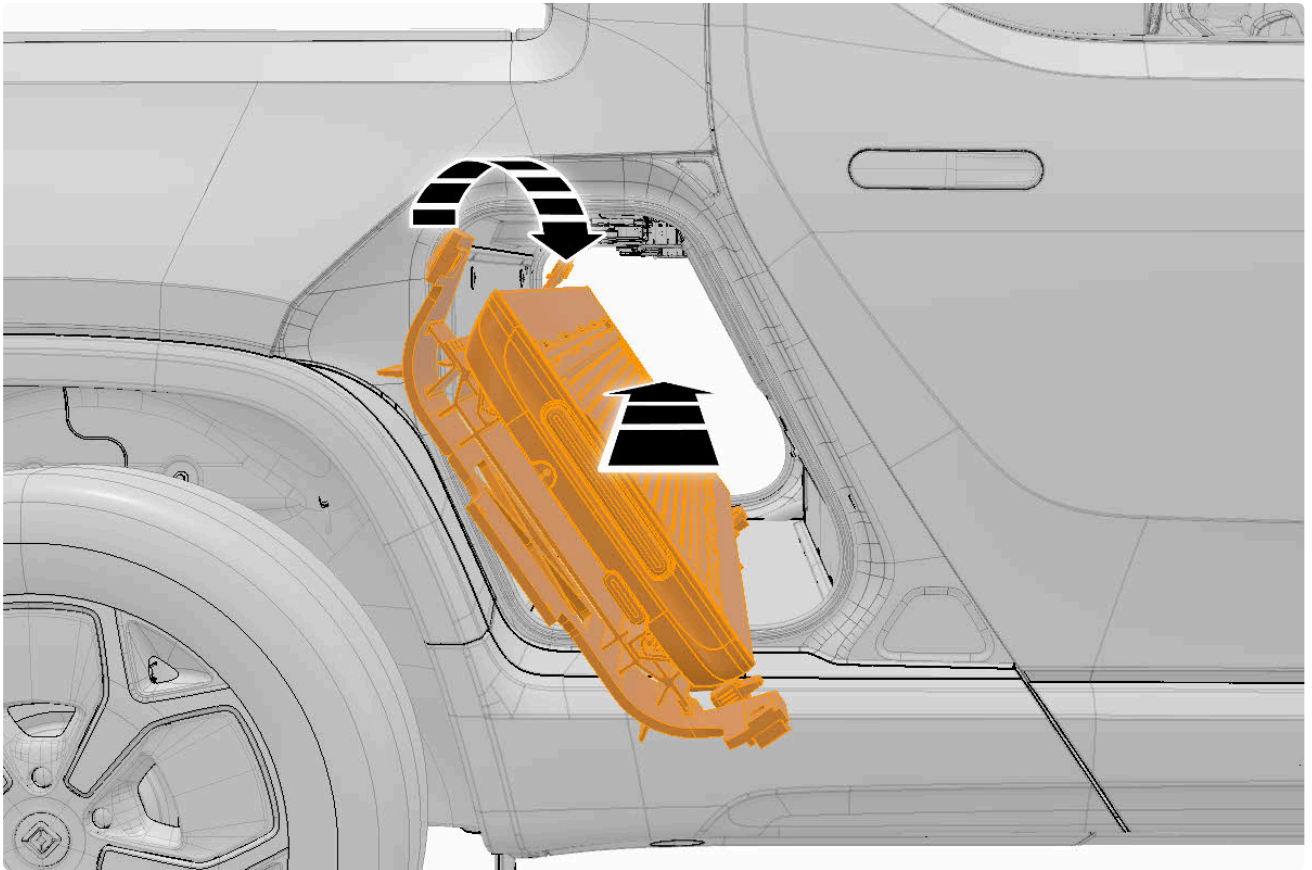
- Blue: The main component to be removed.



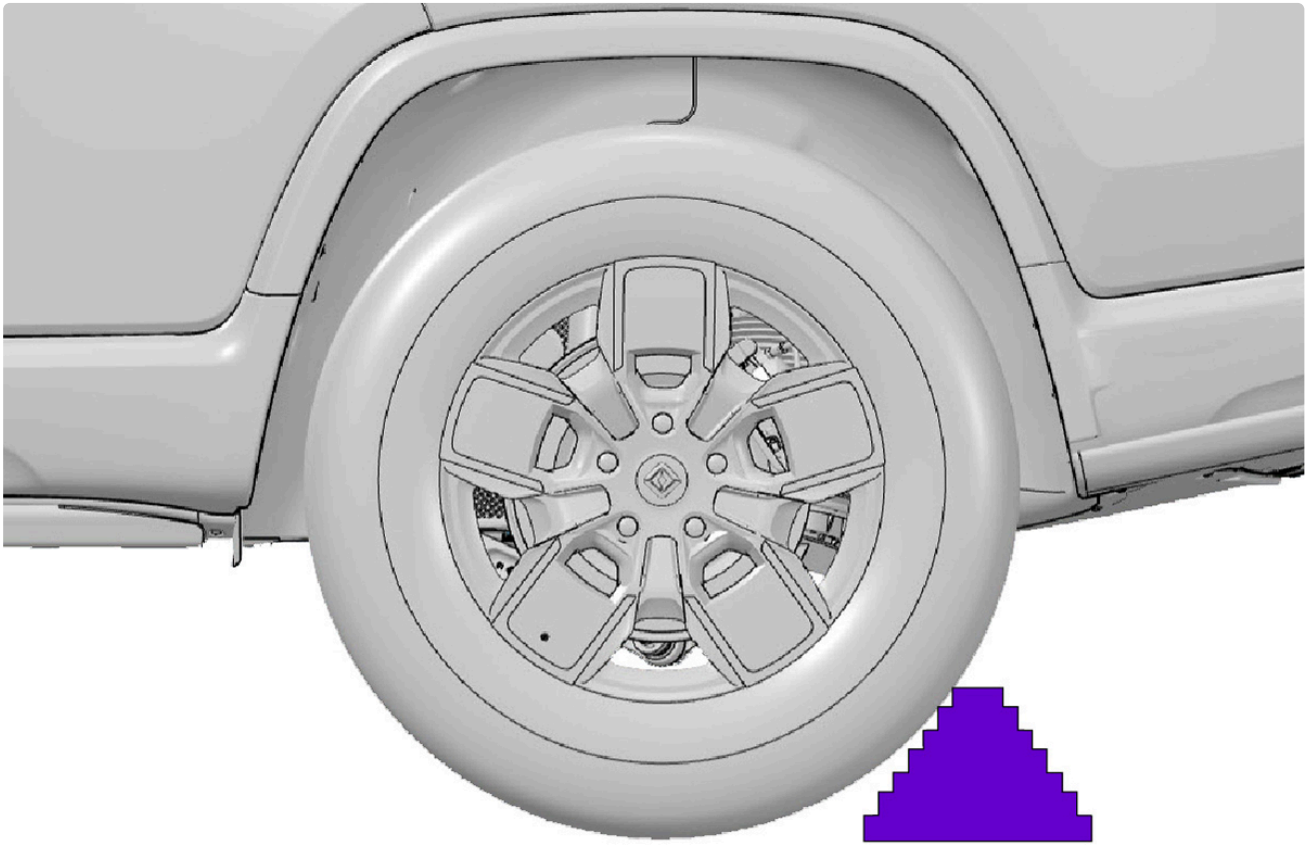
- Green: Components to be removed for access to the main component.



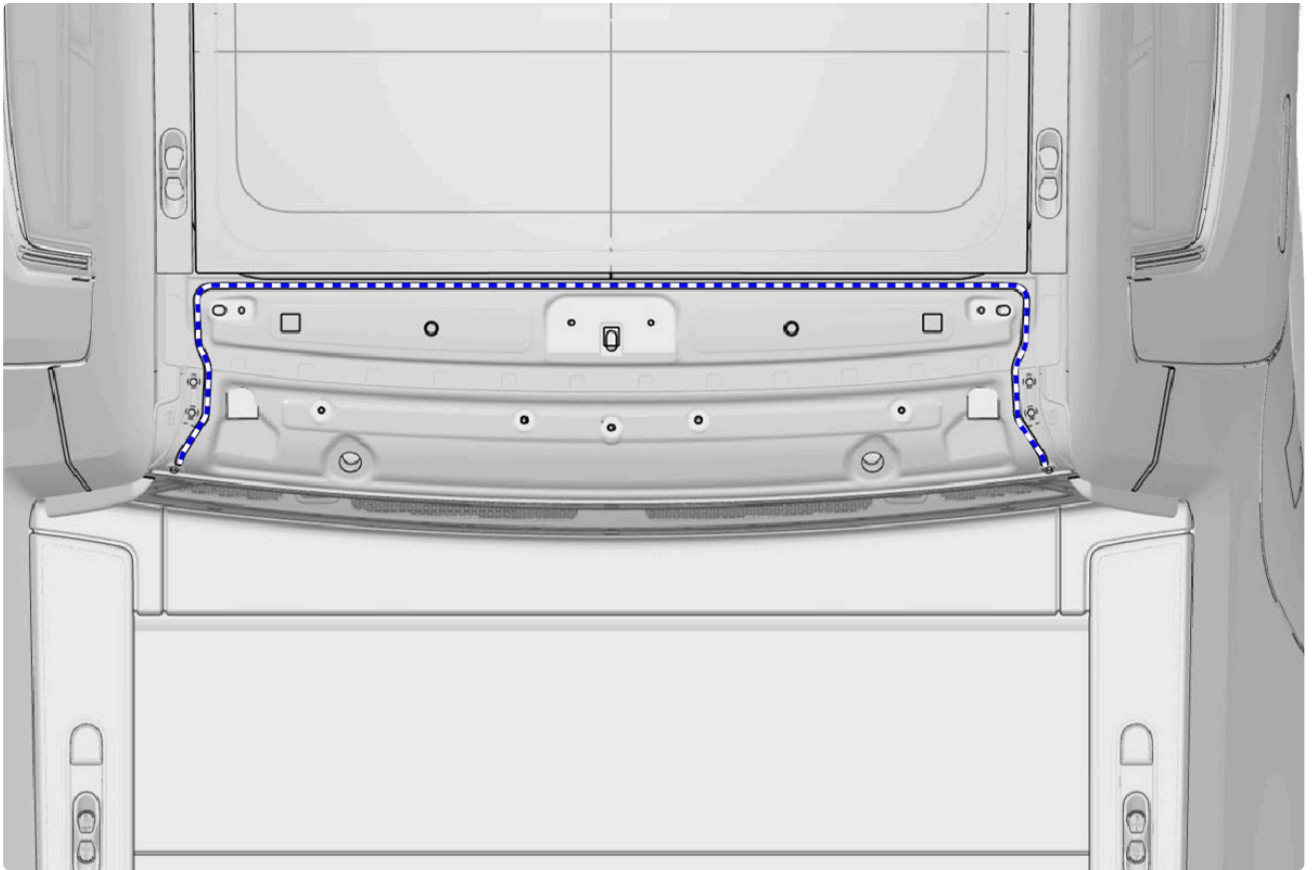
- Amber: Components or areas that are highlighted in general. Symbols in the image or text in the procedure indicate the action to take.



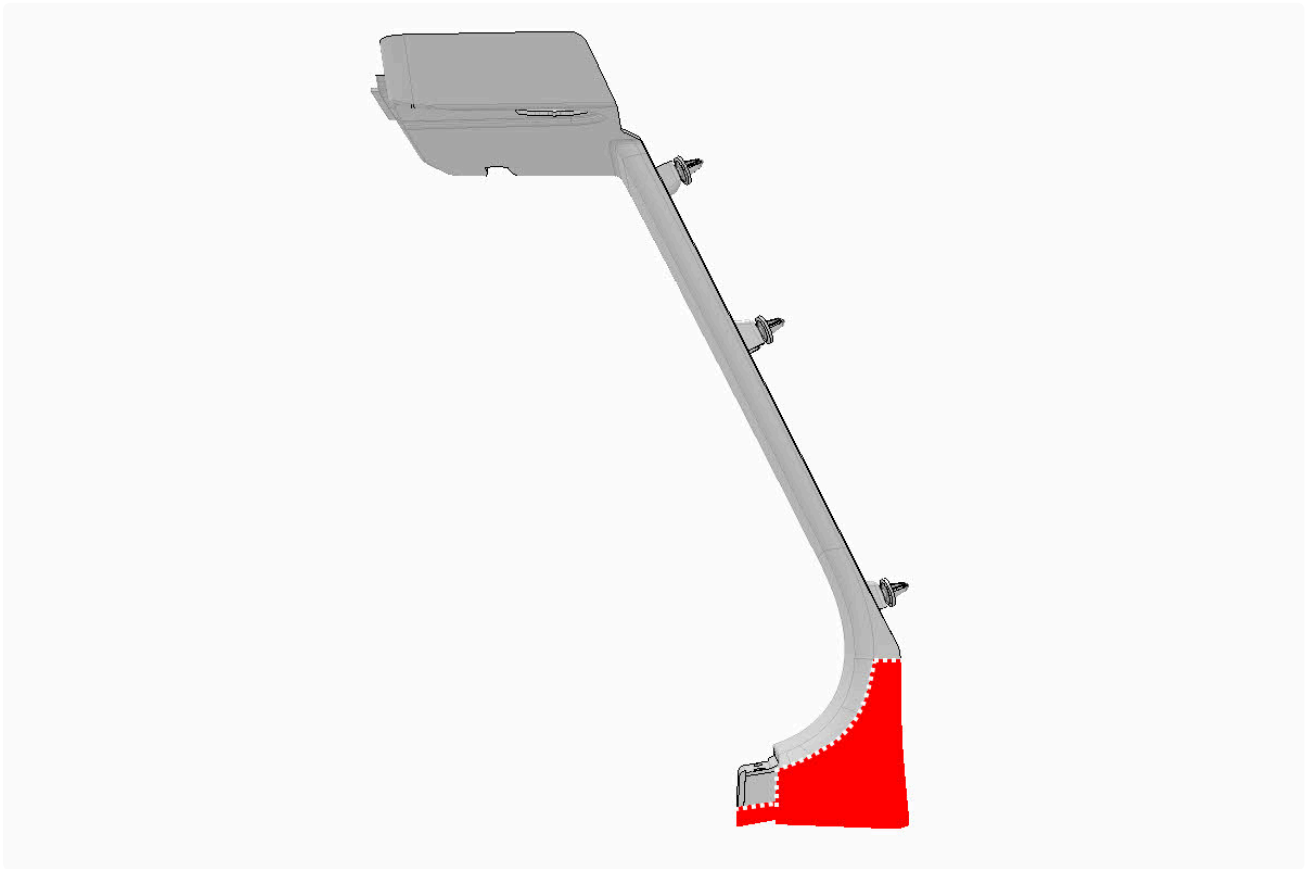
- Purple: Tools and equipment.



- Blue and white dashed lines: Surfaces where a chemical or material (such as sealant) is to be applied.



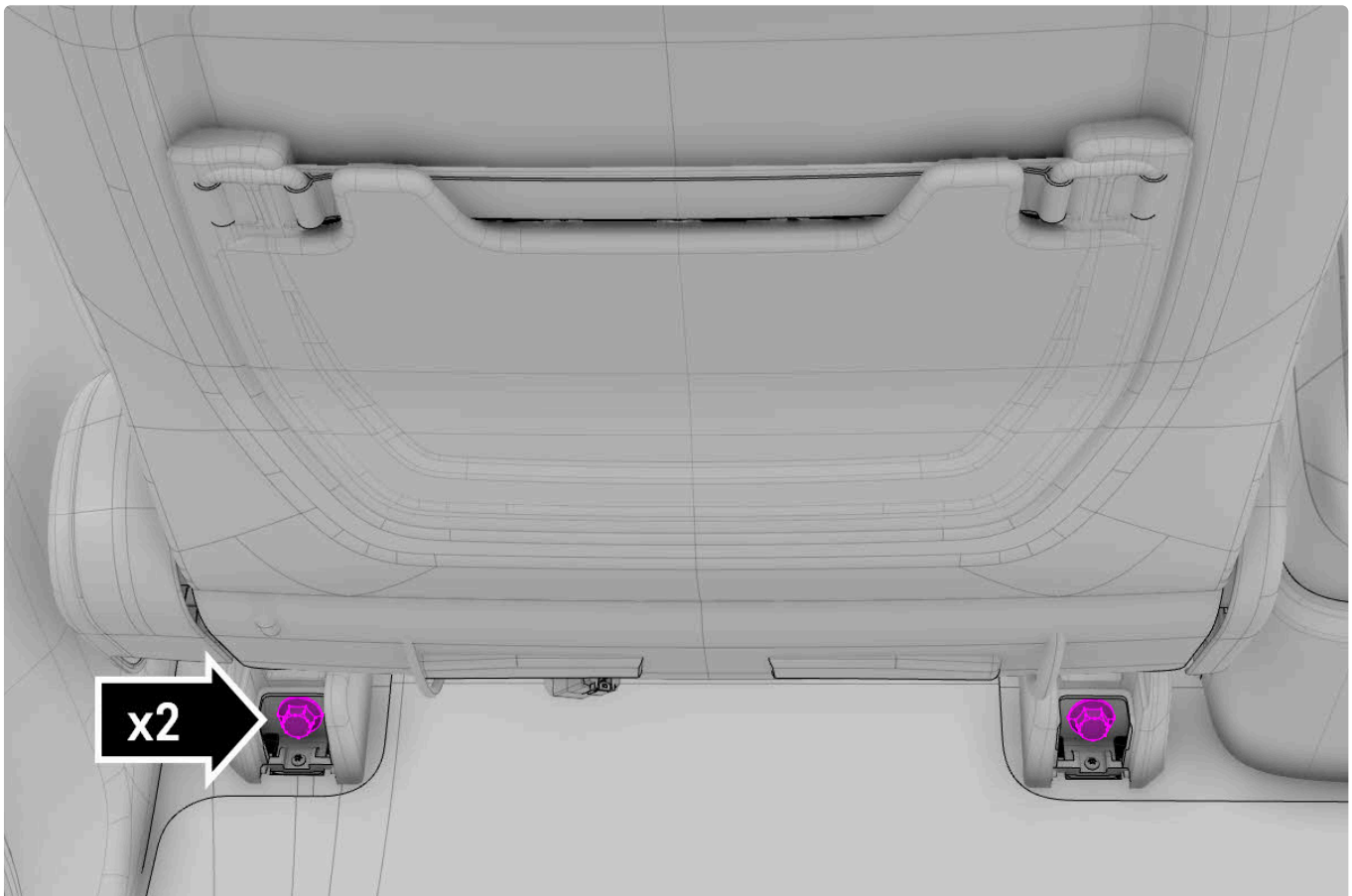
- Red: Areas to be cut and removed from a component.



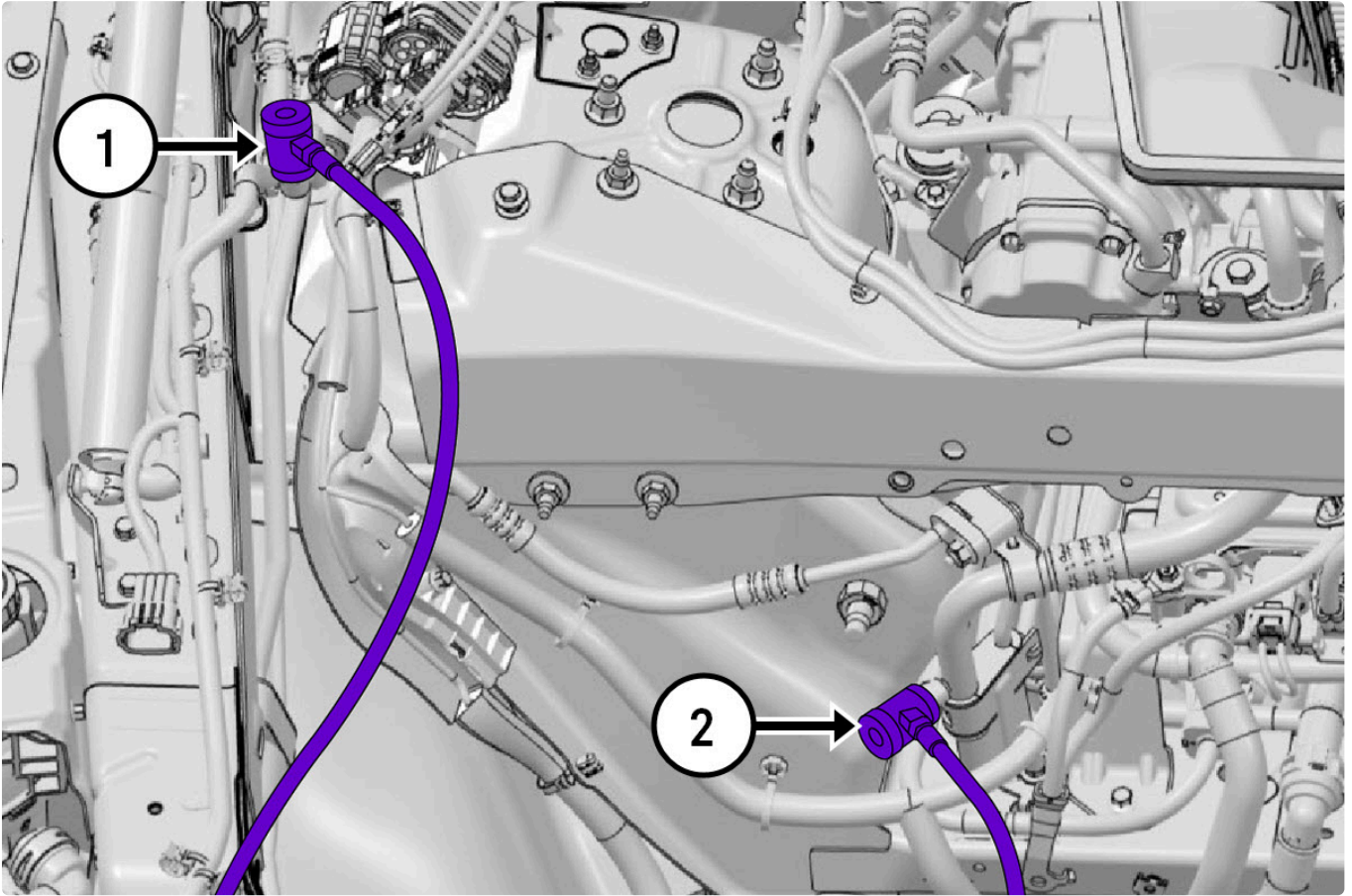
### Symbol Definitions

Black arrow: Calls out small components in a step for improved visibility. Often used for fasteners and electrical connectors.

A quantity in the arrow, such as "x4" or "x12", indicates the number of identical items.

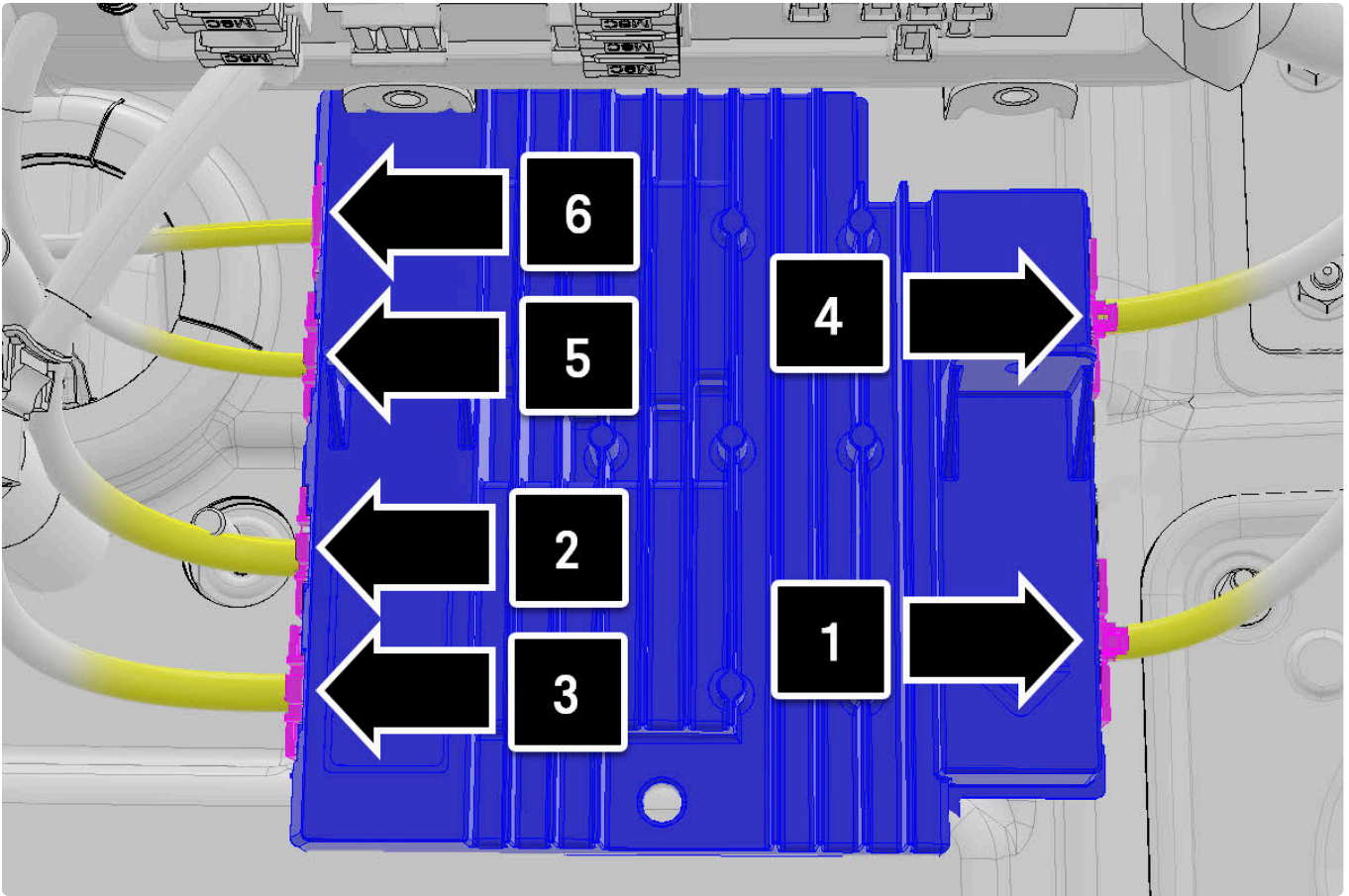


White circle: Calls out components in an image. A table below the image describes each component.

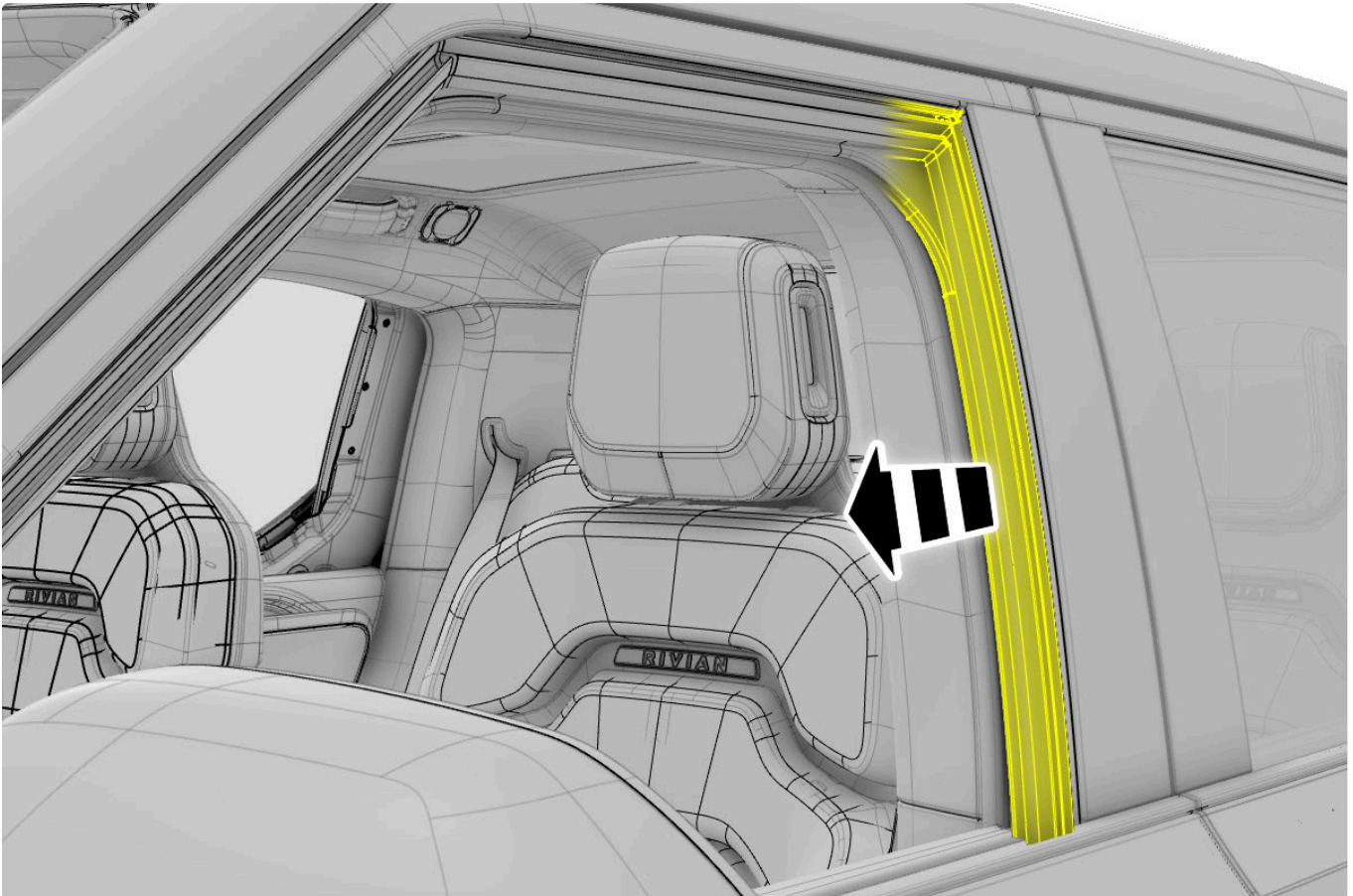


1	High side port
2	Low side port

Black square: Perform the steps in the order shown.



Dashed arrow: Shows the direction to move a component.

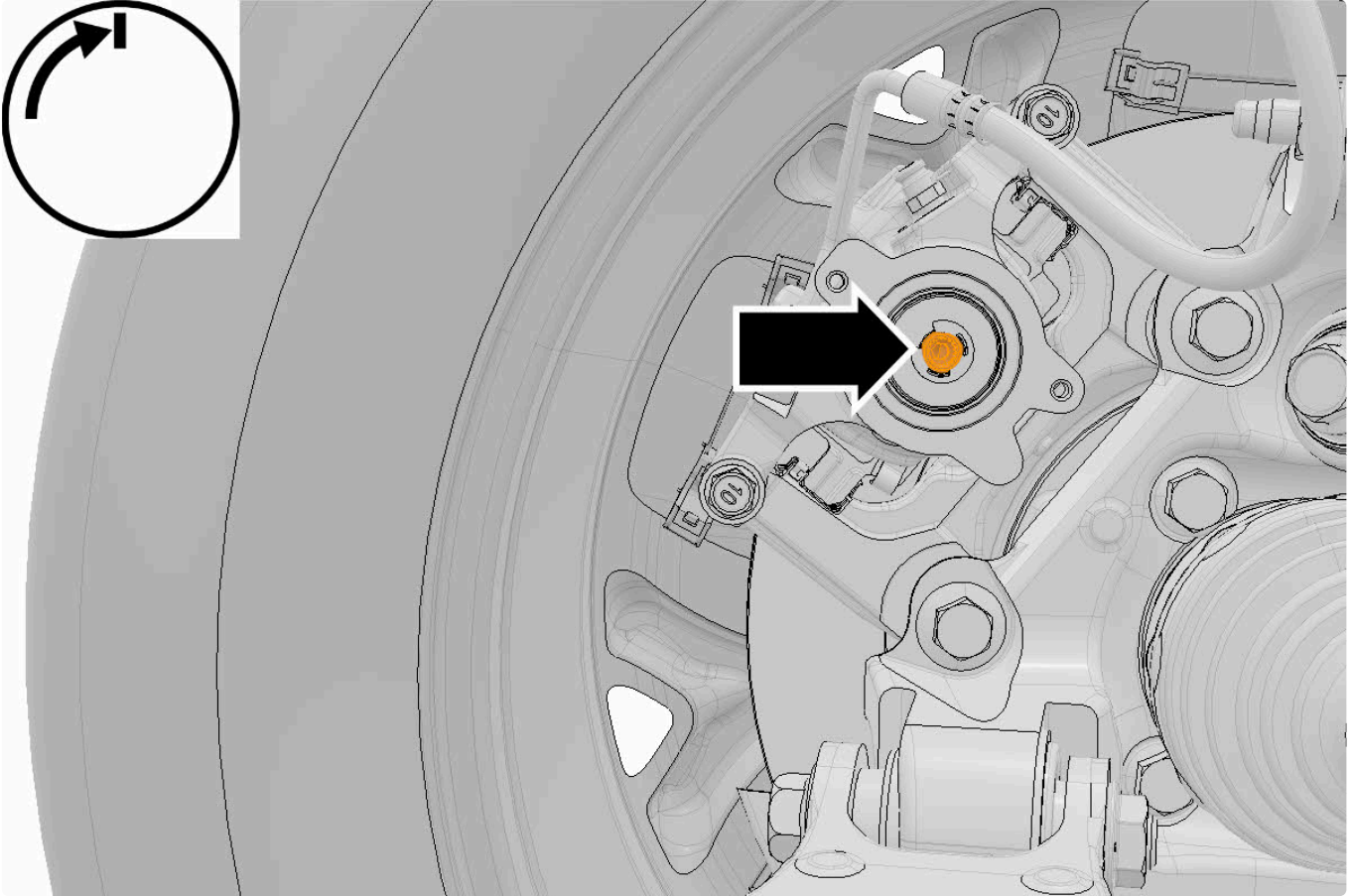
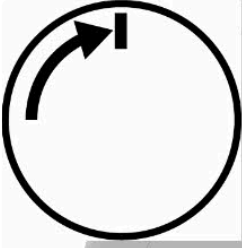


Circle with an arrow in the corner of an image: Rotate the highlighted fastener or component.

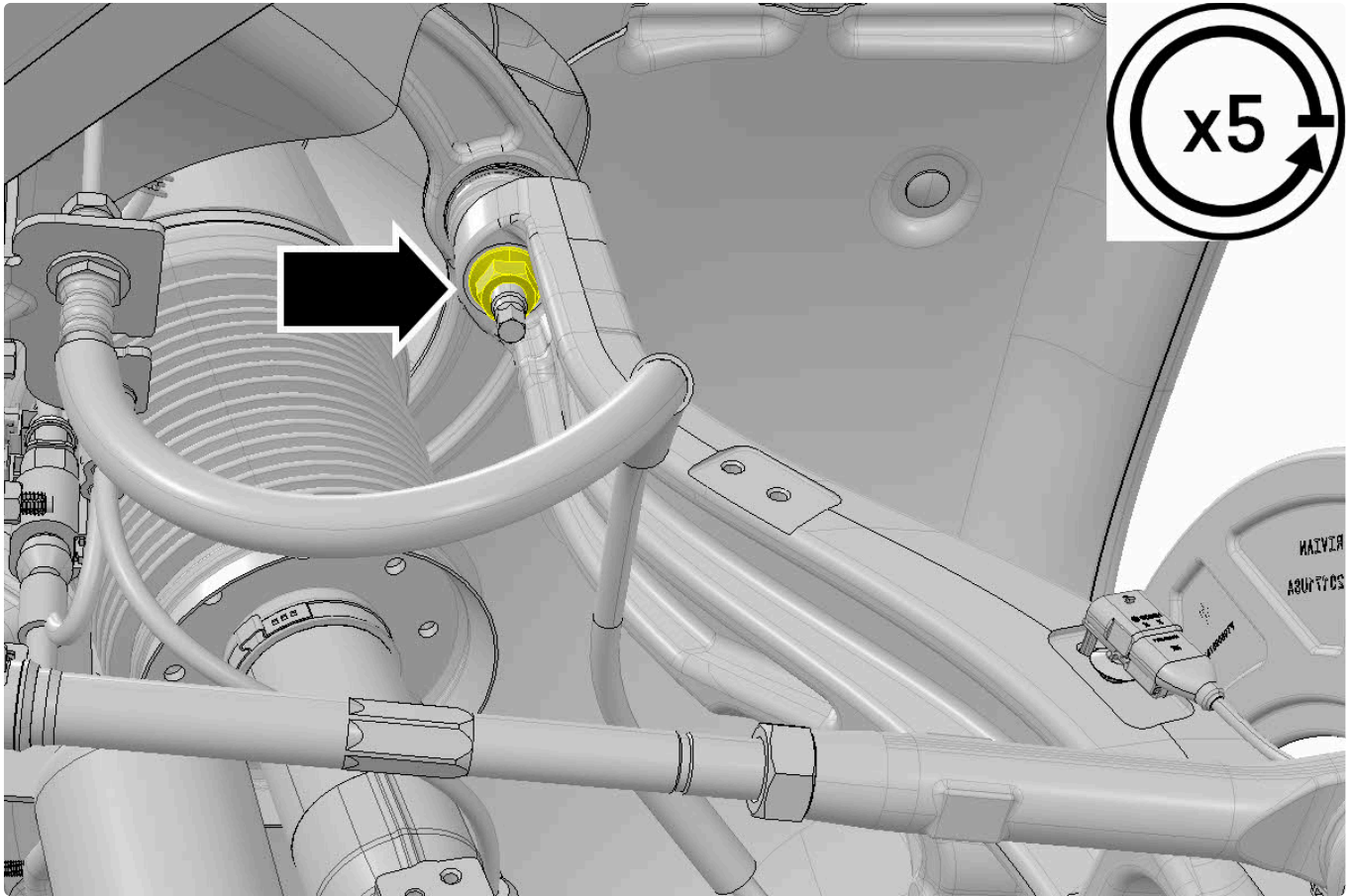
- The arrow points in the direction of rotation.

- The length of the arrow shows how far to rotate.
- If there is a number in the center of the circle, it indicates how many times to rotate.

Rotate clockwise 1/4 turn



Rotate counter-clockwise 5 turns



**Example**

This image indicates 3 actions without needing any text:

- Disconnect the electrical connector.
- Move the wiring harness out of the way.
- Remove the lamp.

