

Latch, Tailgate, LH (Remove and Replace)

Labor Code: 567010010

Important:

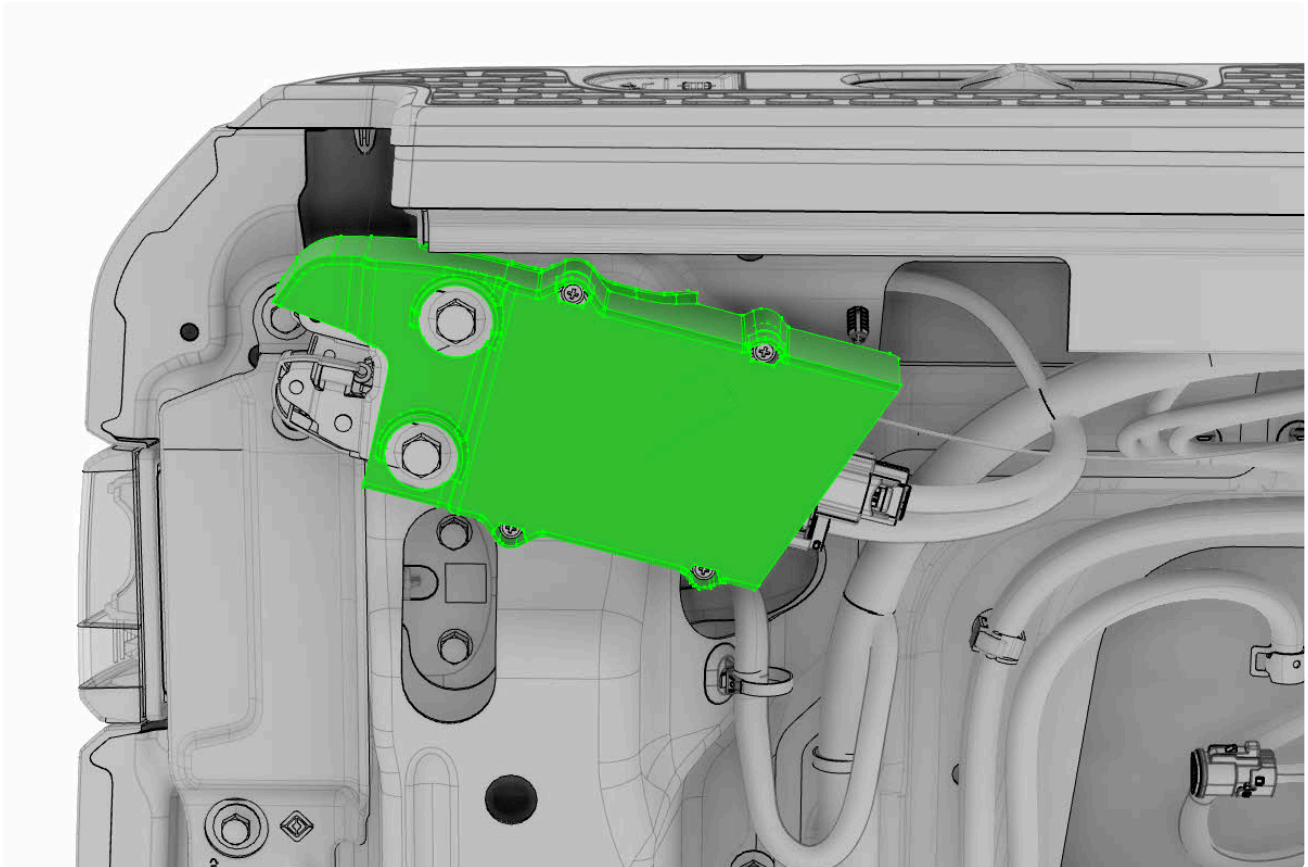
This manual is written for professional automotive technicians who have received high voltage training. It is the technician's responsibility to make sure that the vehicle is safe to work on before beginning inspections or repairs, and to perform all work in a safe manner and in a safe work environment. Refer to the [Introduction](#) section for additional important information.

Torque Specifications:

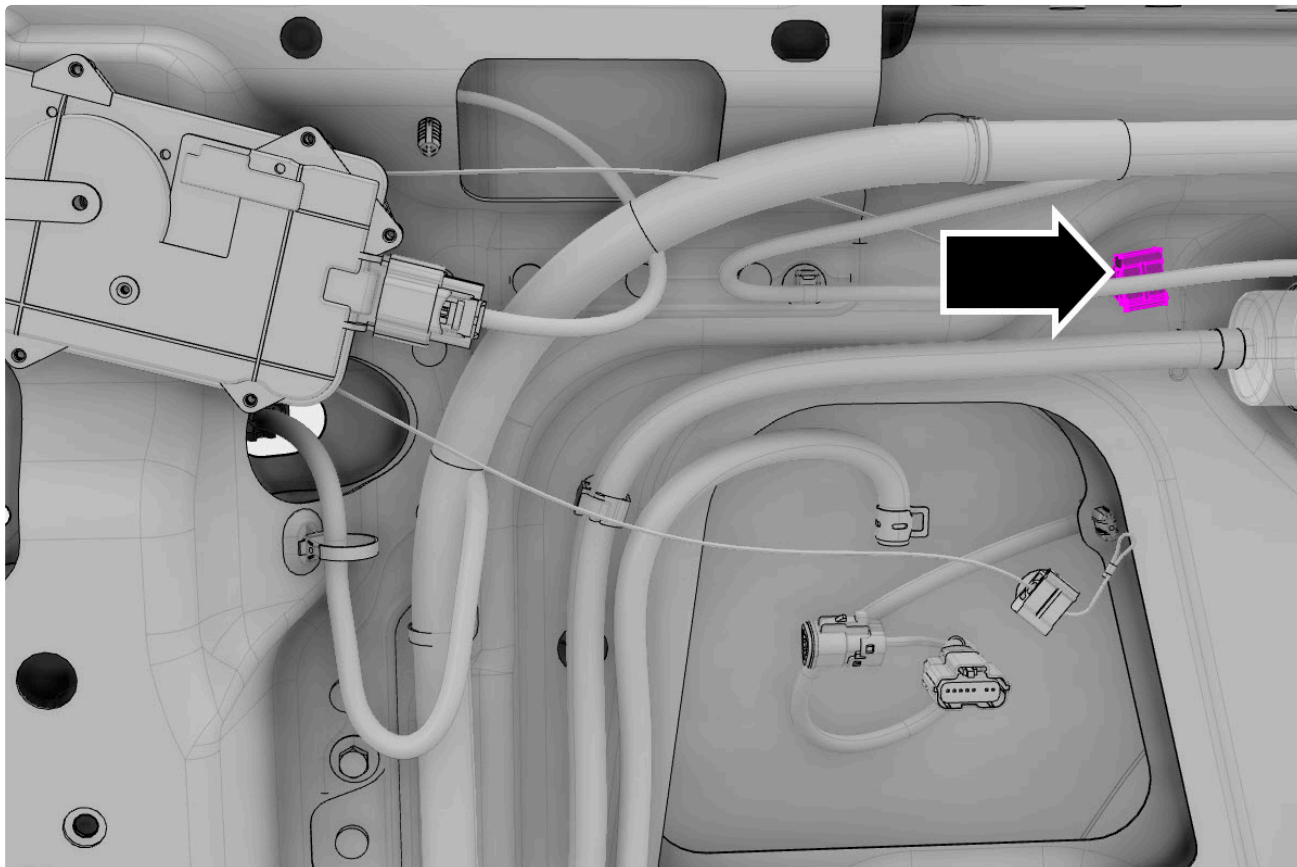
Step Number	Torque (Nm)
4 (PT00013189)	15
4 (PT00162182-C and earlier)	15
4 (PT00162182-D and later)	20

Removal

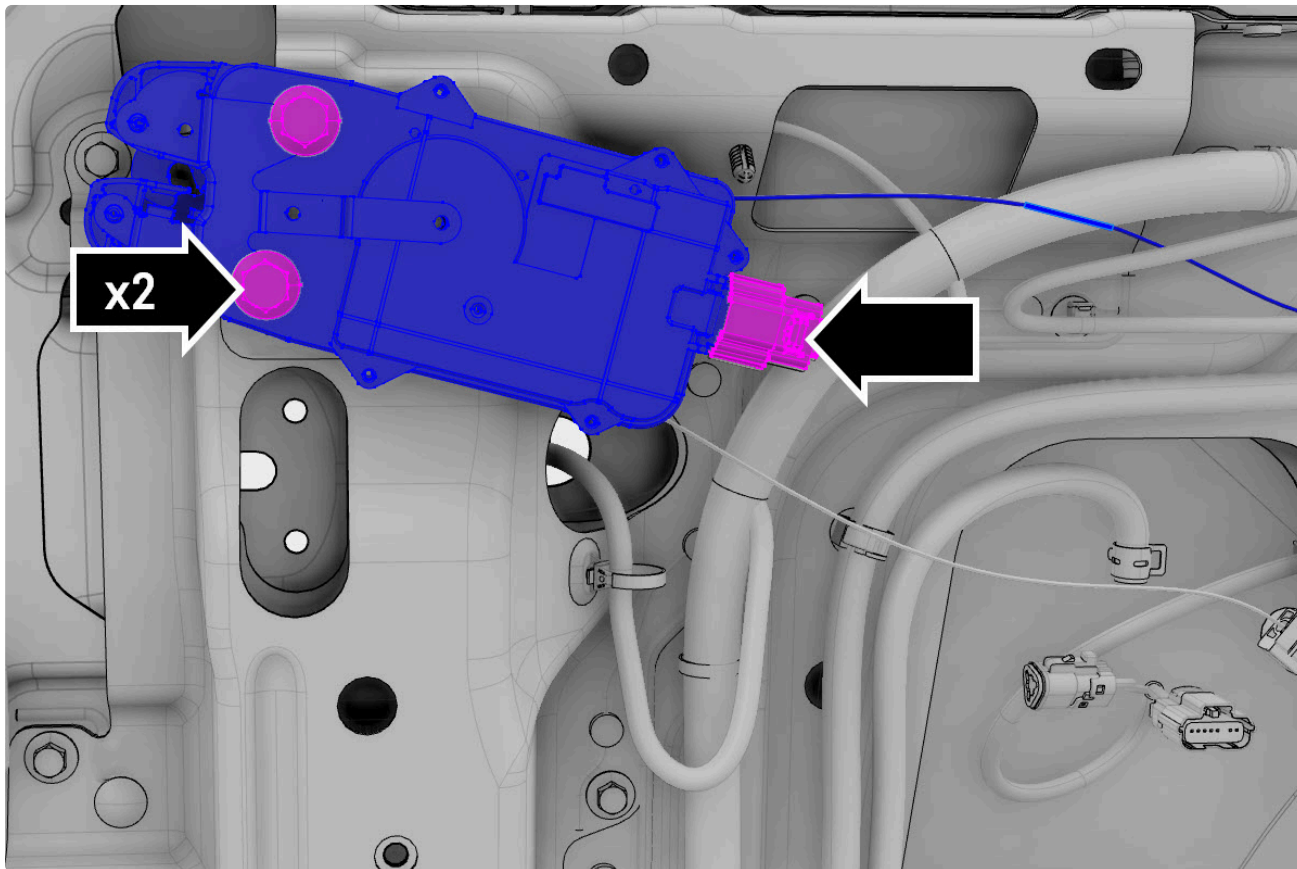
1. Remove: [Trim Panel, Bed, LH \(Remove and Reinstall\)](#).
2. If equipped:



3.



4.



Note:

The torque specification of these fasteners varies based on the replacement component.

PT00013189

Torque: 15 Nm

PT00162182-C and earlier

Torque: 15 Nm

PT00162182-D and later

Torque: 20 Nm

Installation

Installation is the reverse of removal.