

Lines, Jounce, Hydraulic Suspension, Front, LH (Remove and Replace)

Labor Code: 187640010

Important:

This manual is written for professional automotive technicians who have received high voltage training. It is the technician's responsibility to make sure that the vehicle is safe to work on before beginning inspections or repairs, and to perform all work in a safe manner and in a safe work environment. Refer to the [Introduction](#) section for additional important information.

Non-Reusable Component(s):

Part Number	Quantity
PT00808261-A	2

Torque Specifications:

Step Number	Torque (Nm)
3.a	23
4.a	22

Removal

Warning:

Depressurize the hydraulic suspension system before loosening or removing any hydraulic suspension fittings. The hydraulic fluid is normally under high pressure, and could cause injury when a fitting is loosened.

Warning:

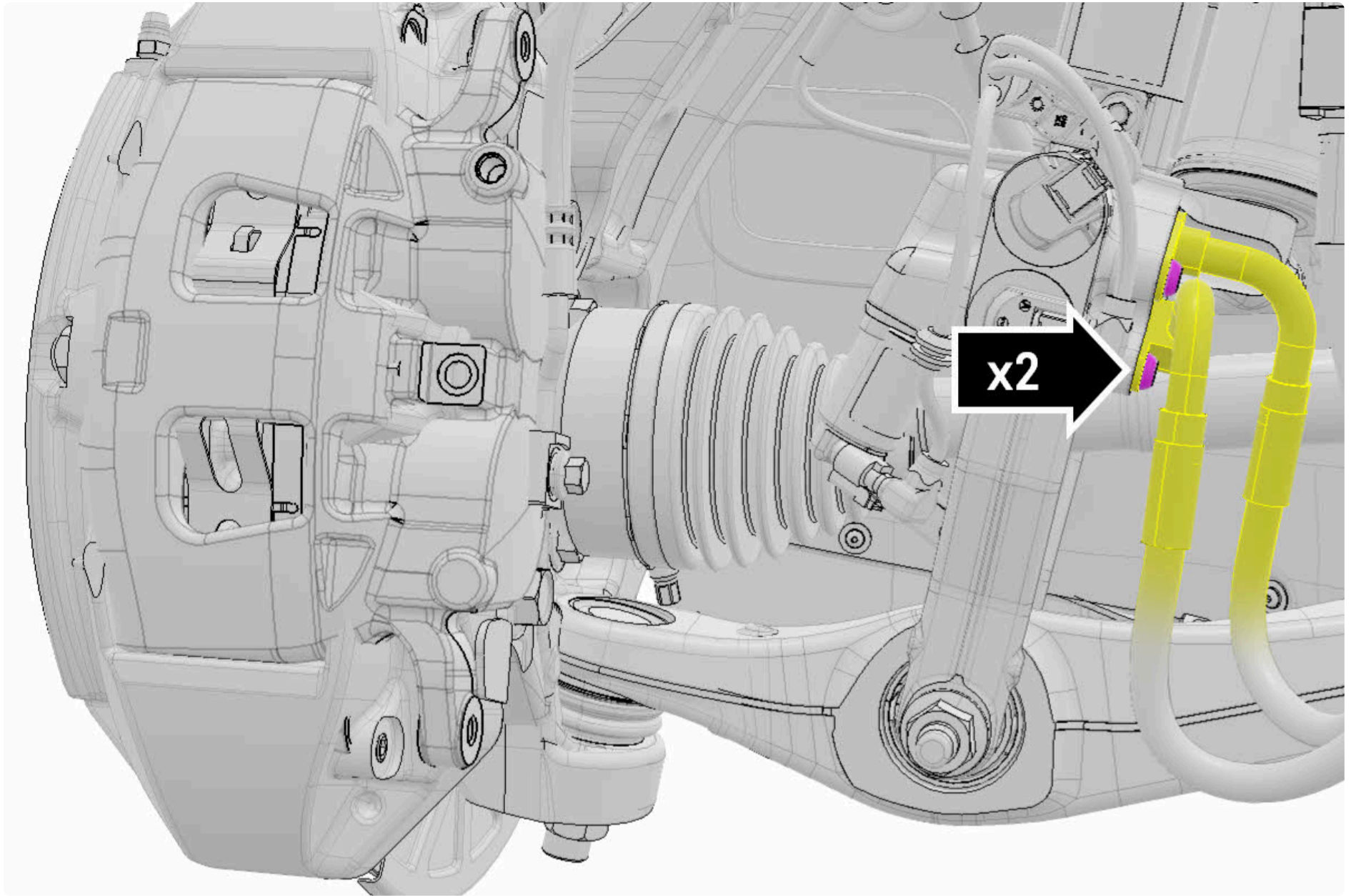
If hydraulic suspension fluid, brake fluid, grease, or other lubricants get on brake pads or rotors, clean them thoroughly with brake cleaner. Contaminated brake pads can increase stopping distance and cause unexpected braking behavior.

1. Perform: [Hydraulic Fluid \(Drain and Refill\)](#).
2. Place absorbent material around the affected area in case of liquid leakage.

3. **Note:**

Shown with components removed for clarity.

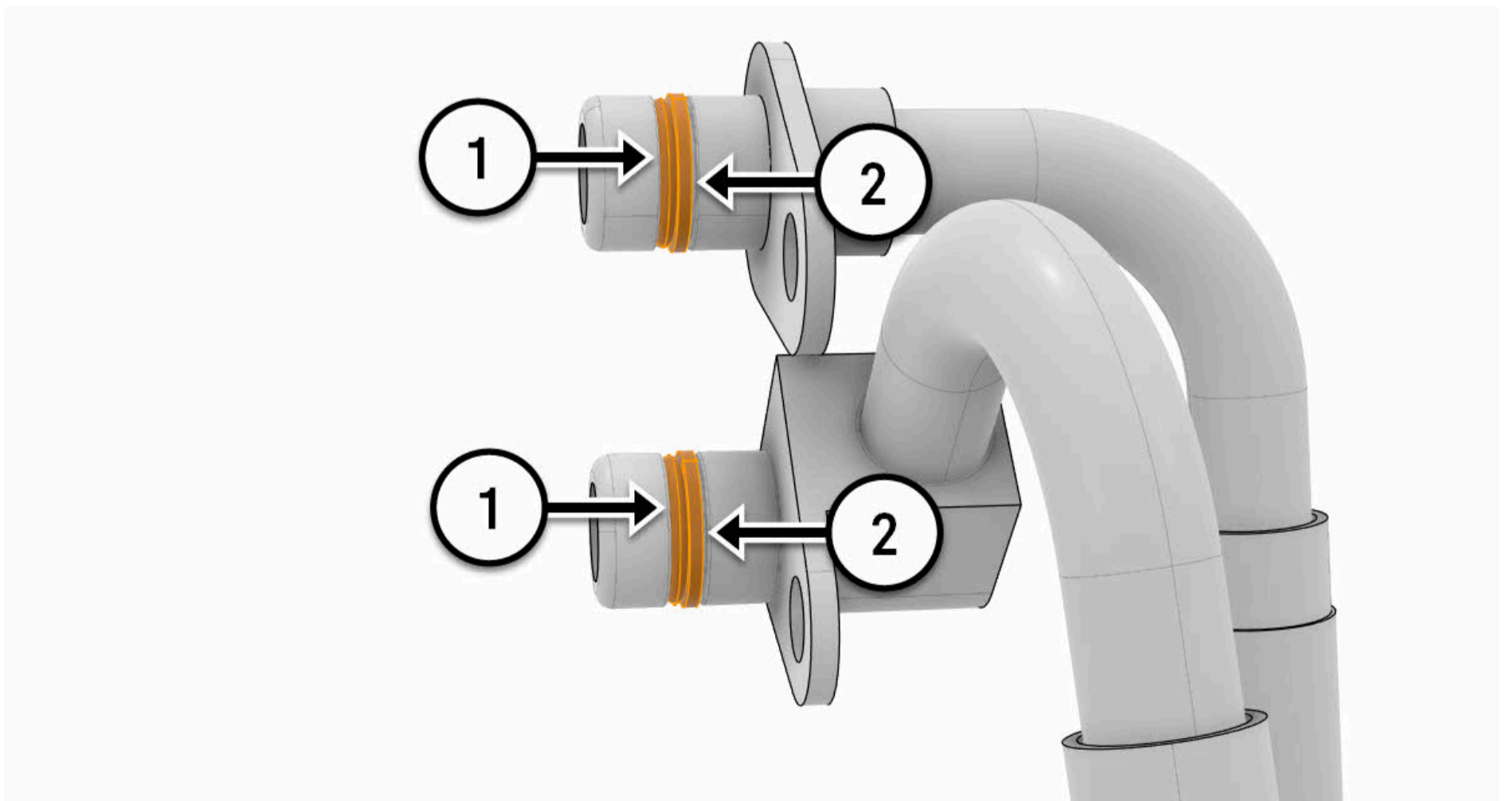
a.



- **CAUTION:**
Make sure that no dirt or other material enters open connection(s).
- If necessary: Use plugs or caps to cover all opening(s).

Torque: 23 Nm

b.

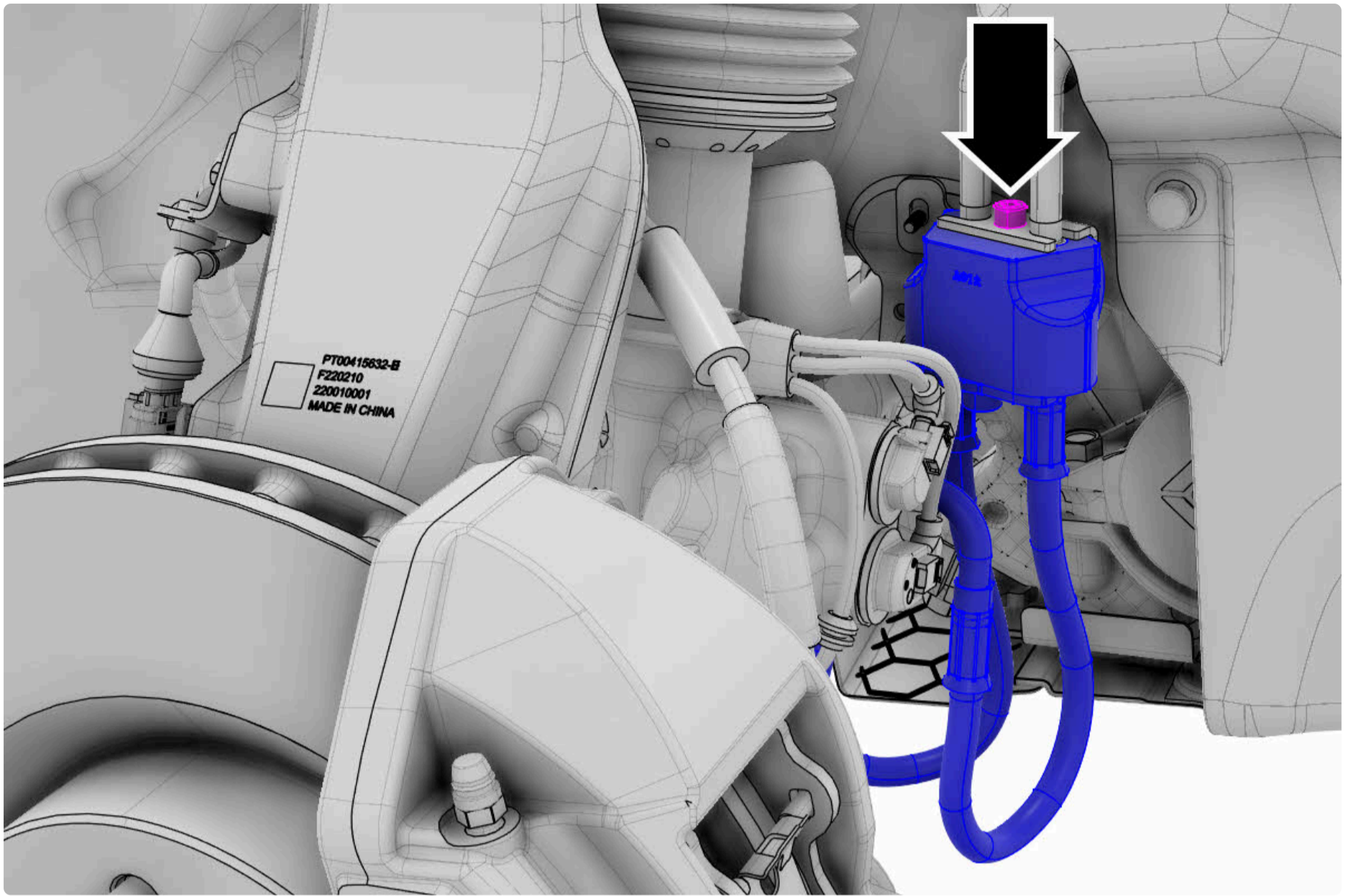


1	O-ring
2	Spacer

CAUTION:

Non-reusable component(s).

4. a.

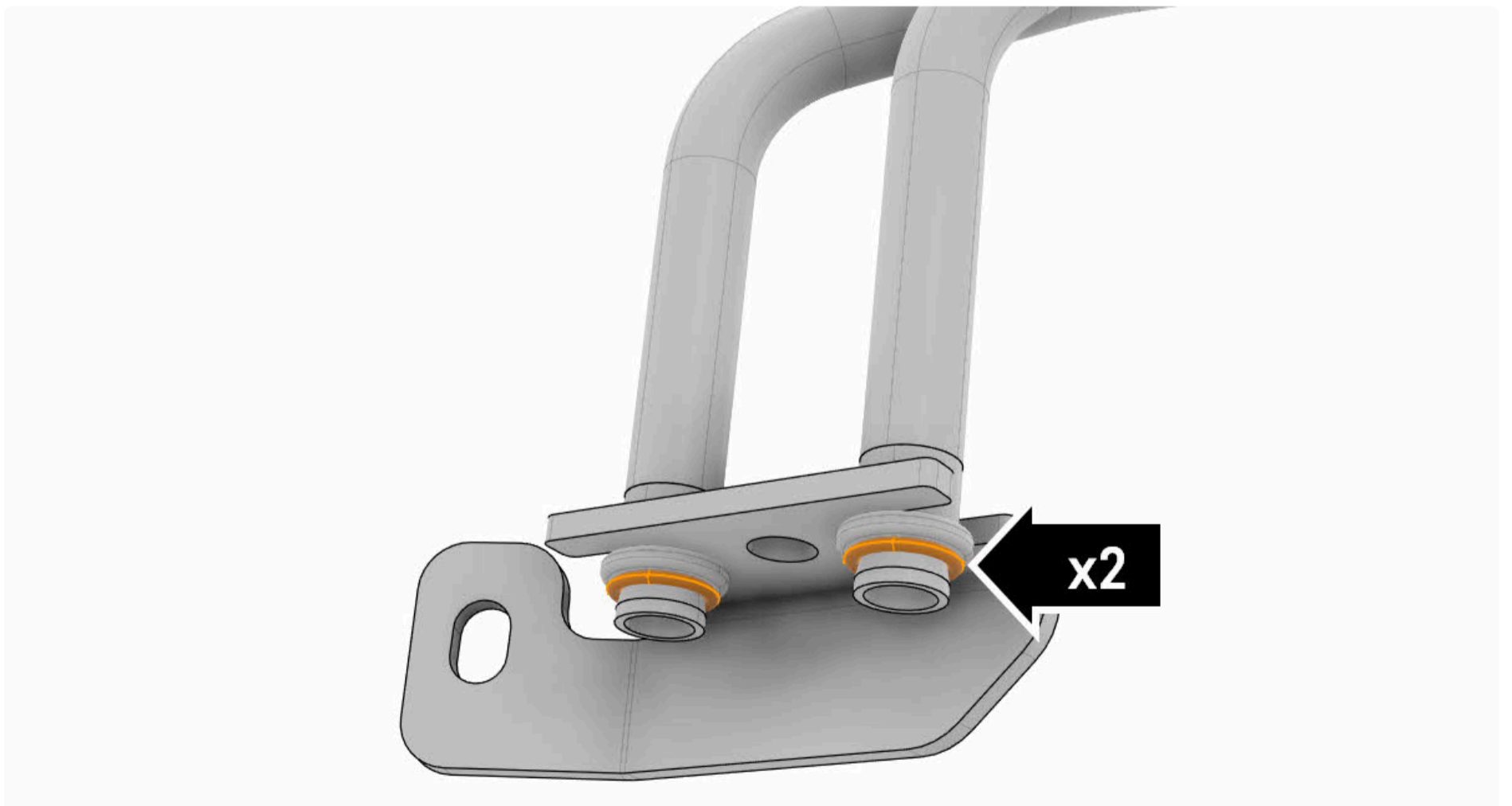


Note:

Shown with components removed for clarity.

Torque: 22 Nm

b.



CAUTION:

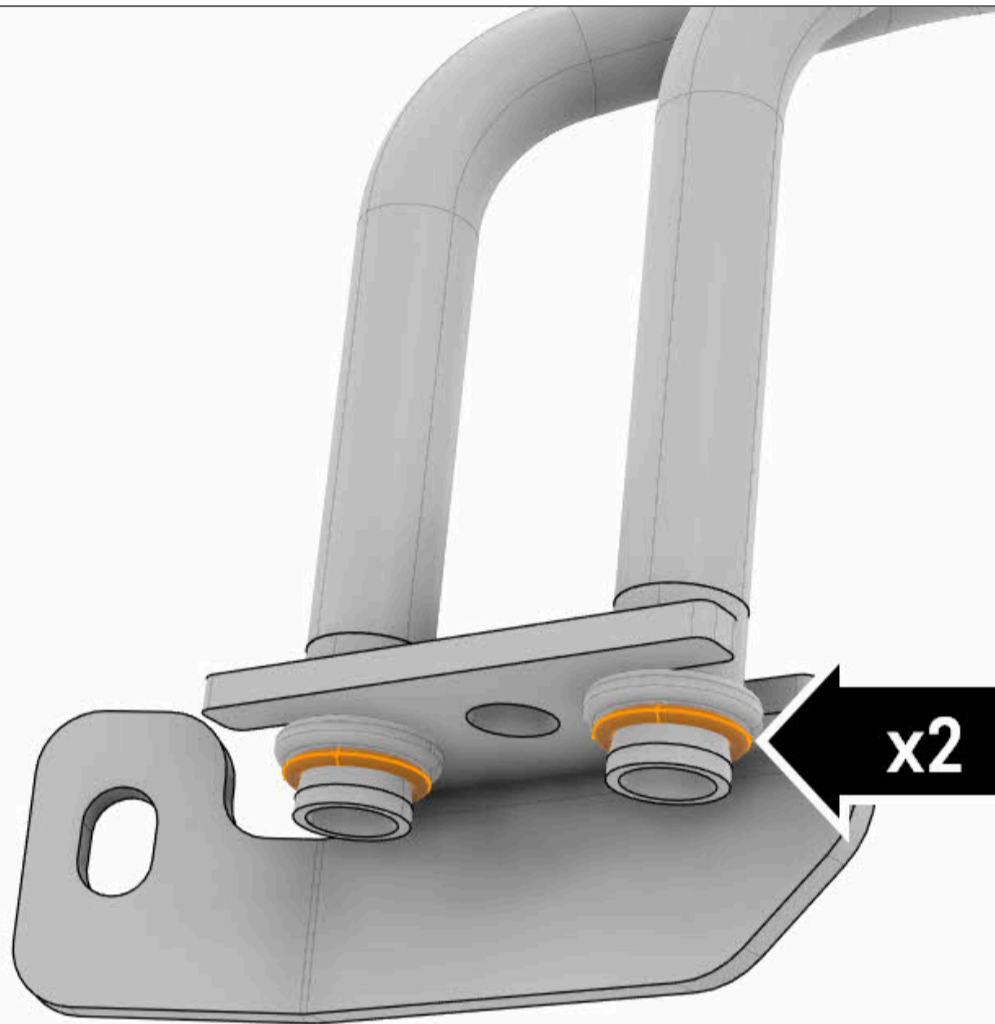
Non-reusable component(s).

Installation

Installation is the reverse of removal, except for the following:

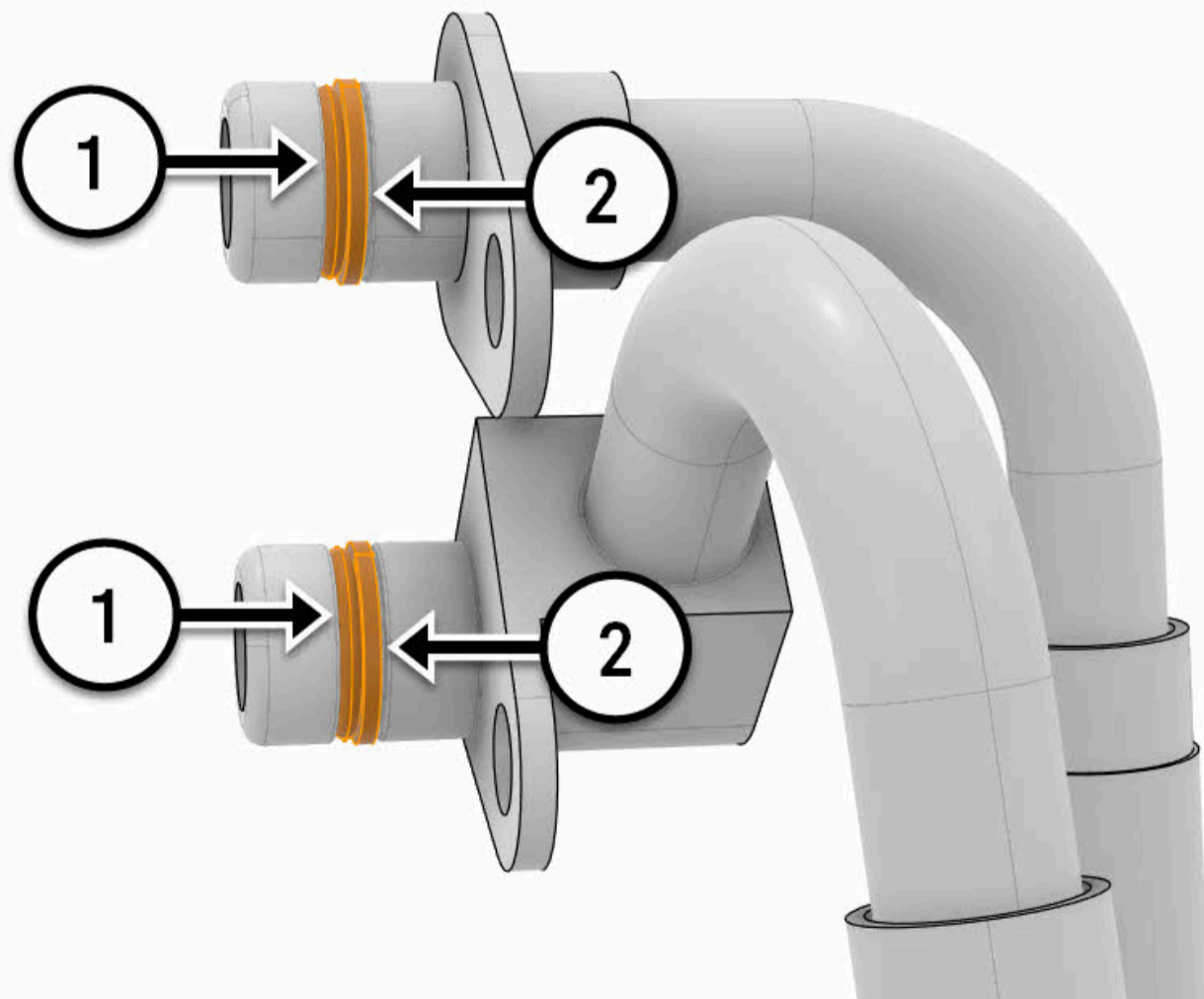
- Make sure that the areas around the fluid connection(s) are clean before reconnecting.

- **CAUTION:**
Replace the highlighted component(s).



- If the same component will be re-installed:

- **CAUTION:**
Replace the highlighted component(s).



1	O-ring
2	Spacer

- [Hydraulic Fluid \(Drain and Refill\)](#).