

Model year 2022-2024 vehicles

Labor Code: 606516010

Important:

This manual is written for professional automotive technicians who have received high voltage training. It is the technician's responsibility to make sure that the vehicle is safe to work on before beginning inspections or repairs, and to perform all work in a safe manner and in a safe work environment. Refer to the [Introduction](#) section for additional important information.

Potentially Non-Reusable Component(s):

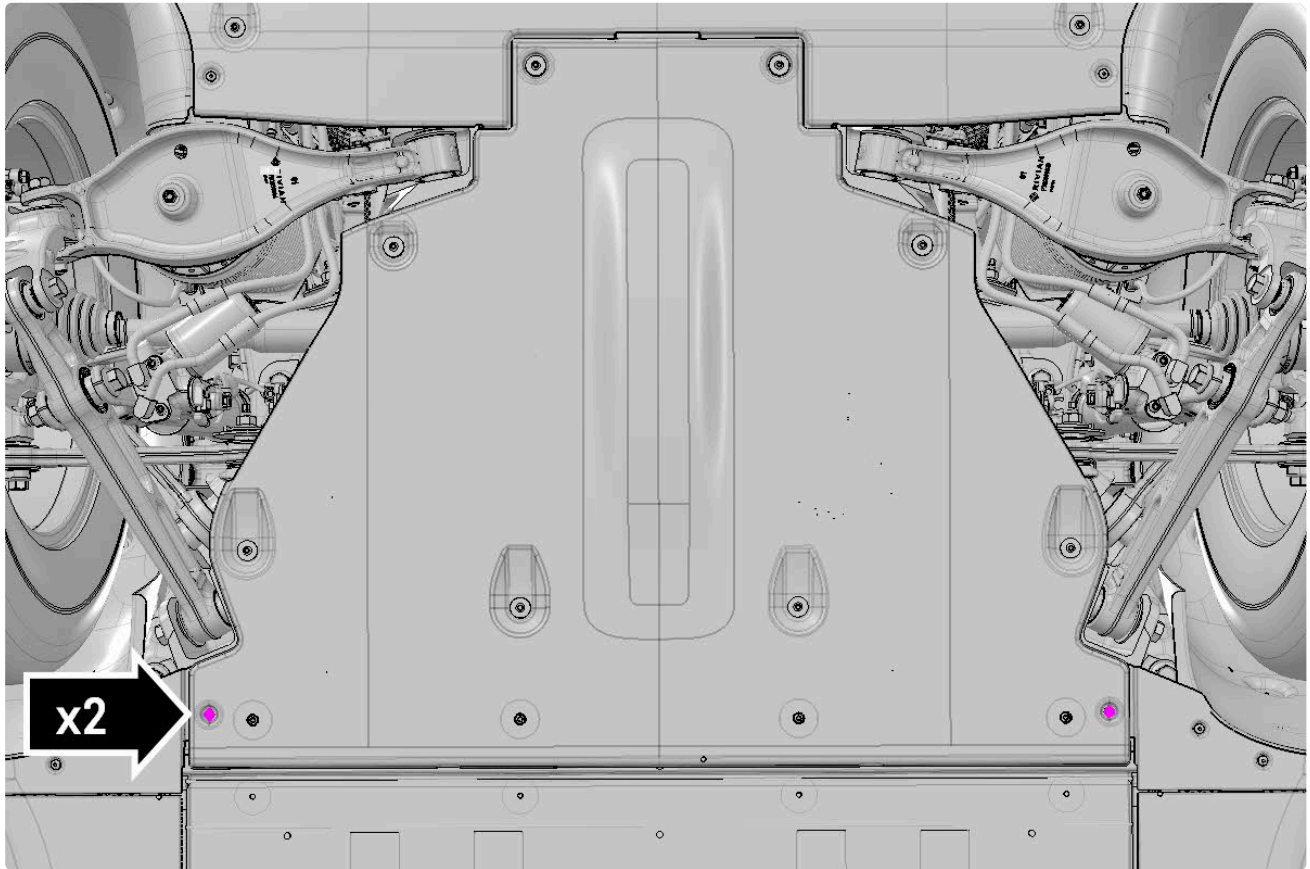
Part Number	Quantity	Fastener Type
SC00022900-A	12	Prevailing Torque

Torque Specifications:

Step Number	Torque (Nm)
2	3
3	9

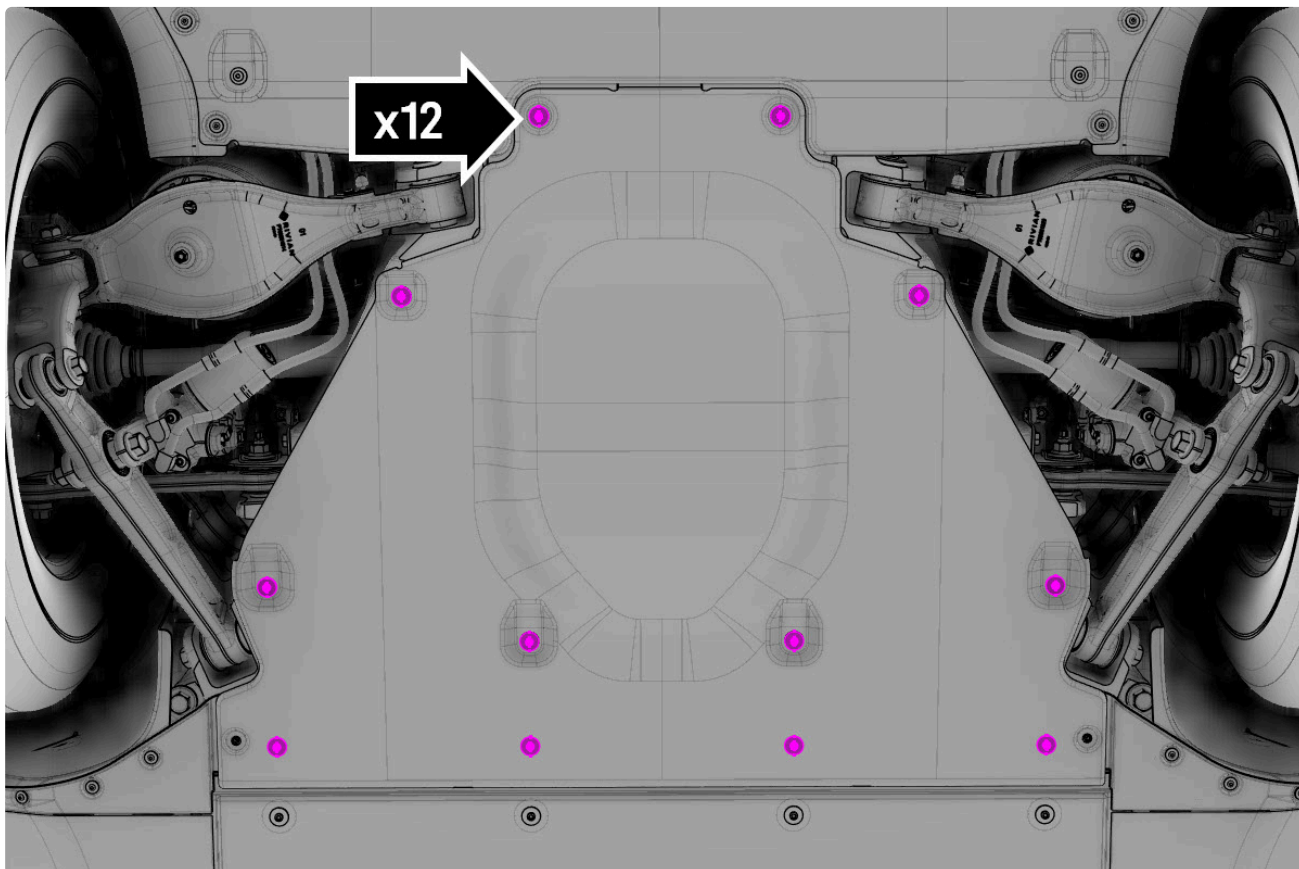
Removal

1. [Raise and Support Vehicle.](#)
- 2.



Torque: 3 Nm

3.

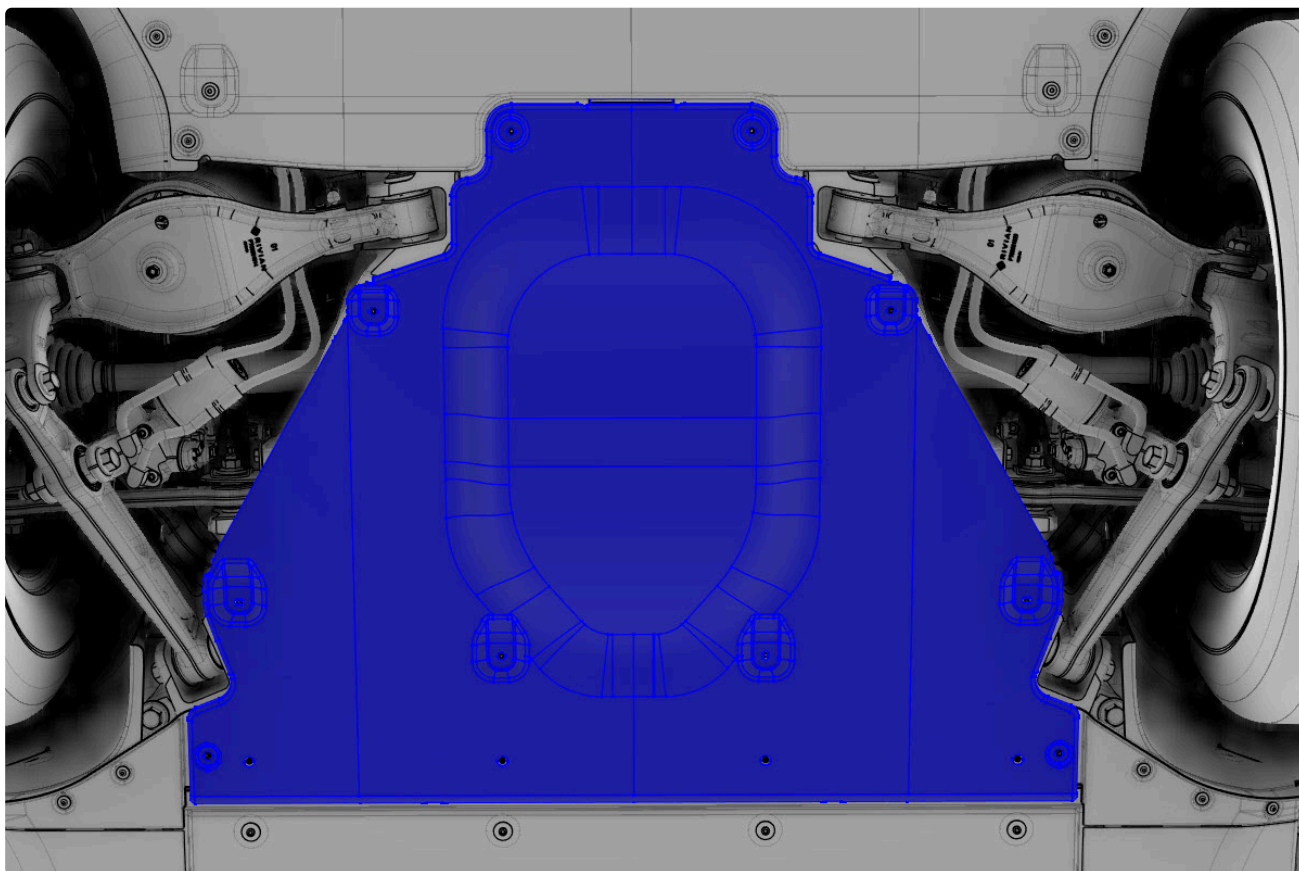


CAUTION:

Potentially non-reusable fastener(s).

Torque: 9 Nm

4.



Installation

Installation is the reverse of removal, except for the following:

CAUTION:

Replace all non-reusable components.