

Model year 2022-2024 vehicles

Labor Code: 643710011

Important:

This manual is written for professional automotive technicians who have received high voltage training. It is the technician's responsibility to make sure that the vehicle is safe to work on before beginning inspections or repairs, and to perform all work in a safe manner and in a safe work environment. Refer to the [Introduction](#) section for additional important information.

Potentially Non-Reusable Component(s):

Part Number	Quantity	Fastener Type
SC00004348-A	4	Adhesive

Torque Specifications:

Step Number	Torque (Nm)
6	3.7
7	3.7
9	1.5
11	3.7
12	3.7
16	8.5

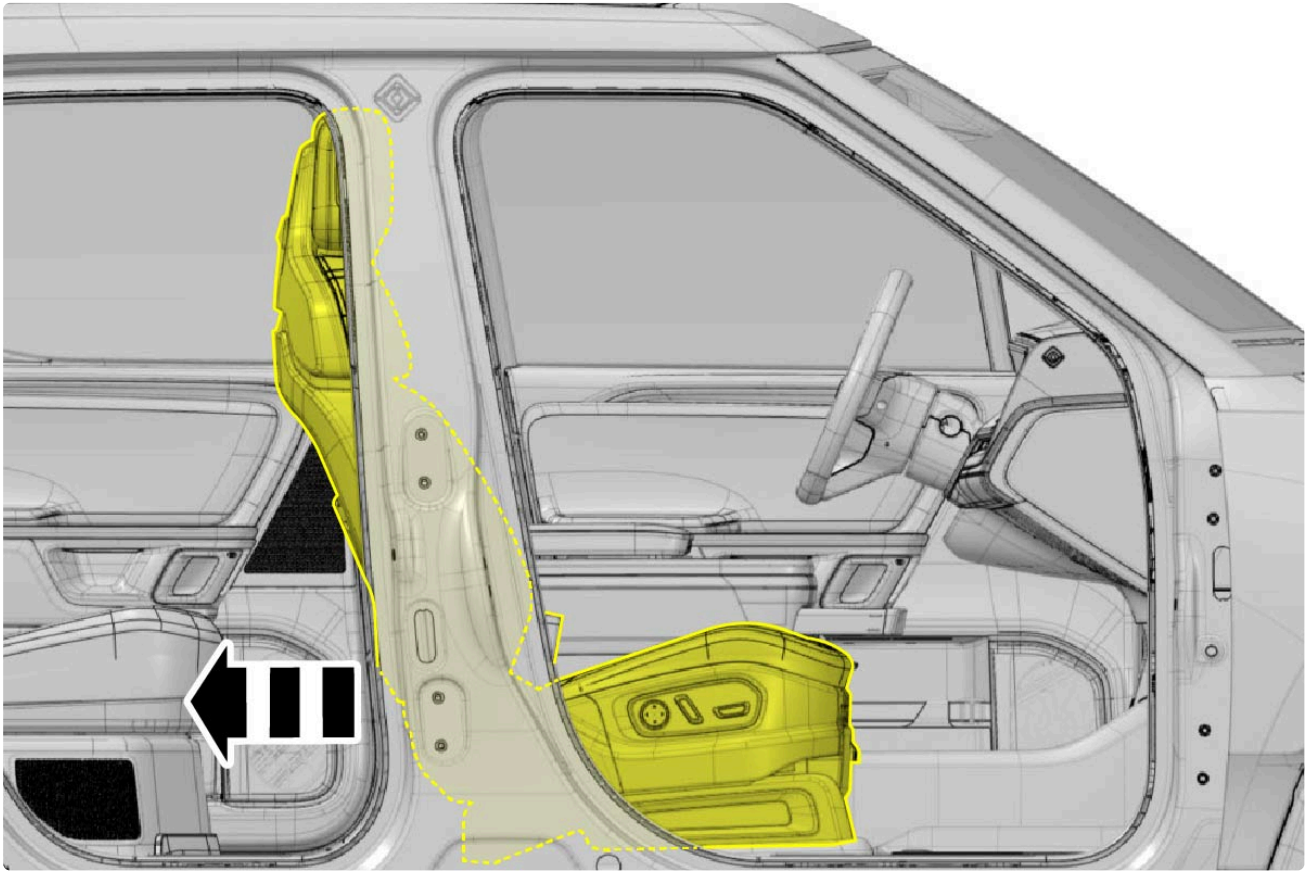
Removal

Note:

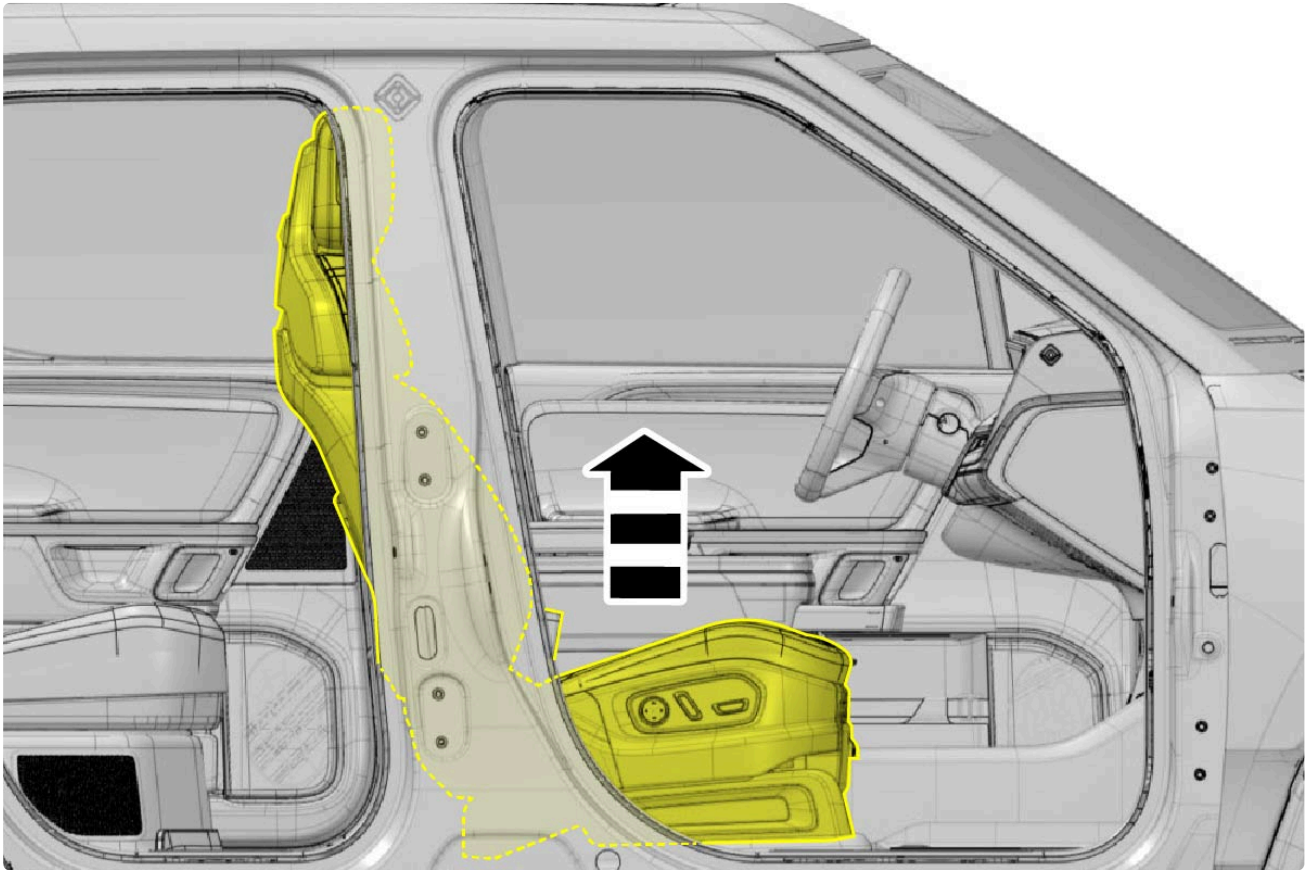
Unbolting and moving one of the front seat assemblies is required. Moving the RH seat is preferred. This procedure describes moving the RH seat. Perform the RH-specific procedures on the equivalent LH components if the LH seat is moved instead.

1. Disconnect any devices that are plugged into the center console AC outlet.
2. On the center display: Turn off the AC outlets.

3. On the RH side:

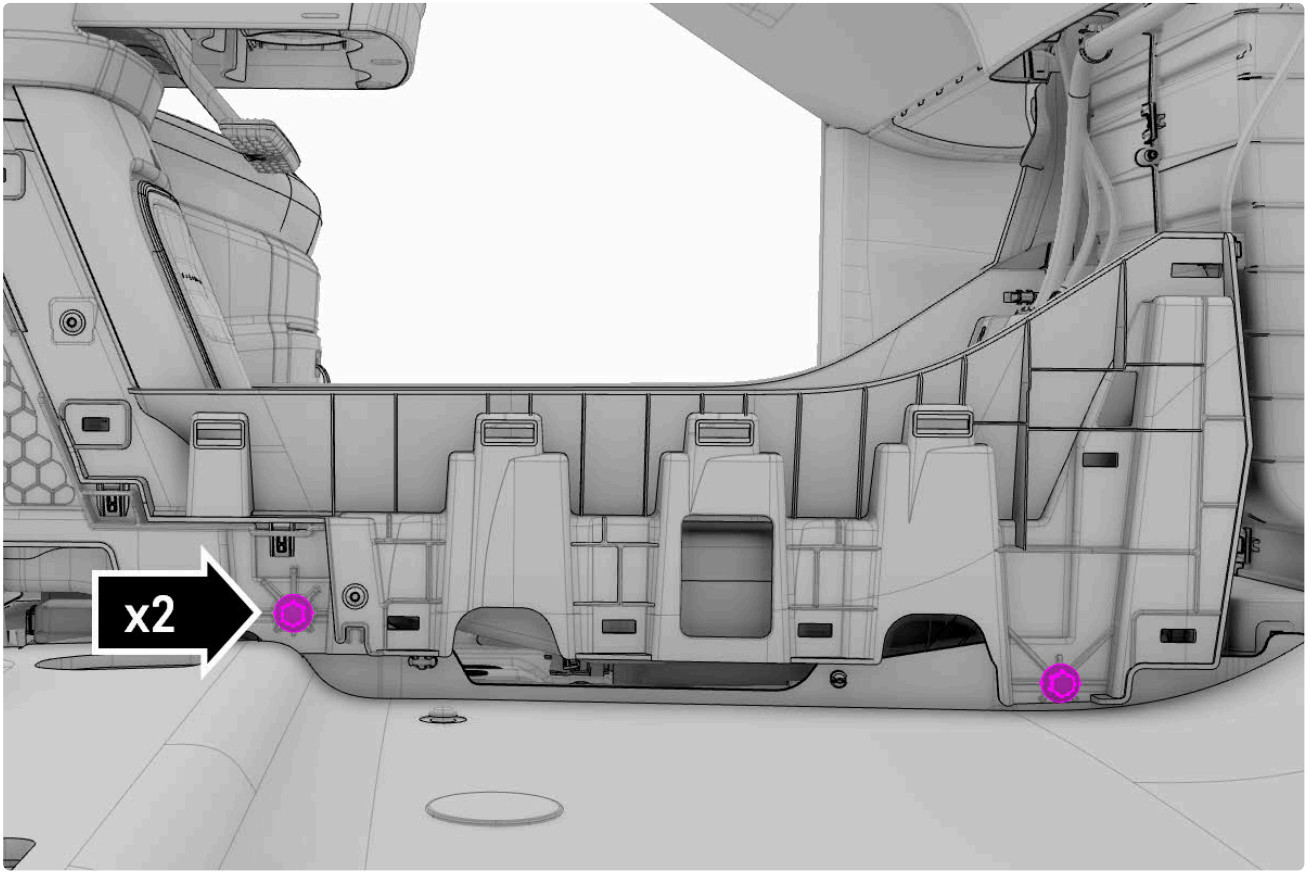


4. If the LH seat will be moved:



5. On the RH side: Remove: [Trim Panel](#), [Center Console](#), [Lower, LH](#) (Remove and Replace).

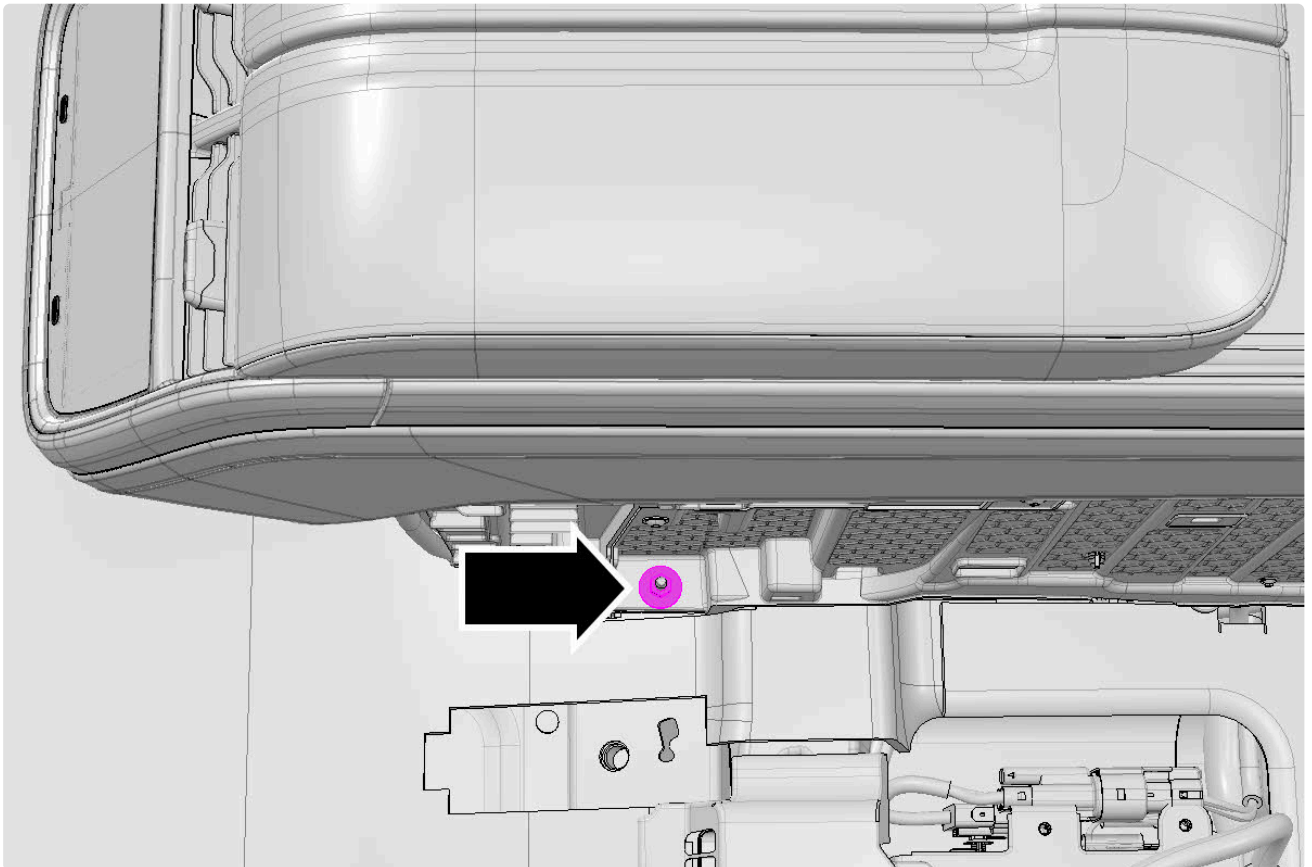
6. On the RH side:



CAUTION:
Potentially non-reusable fastener(s).

Torque: 3.7 Nm

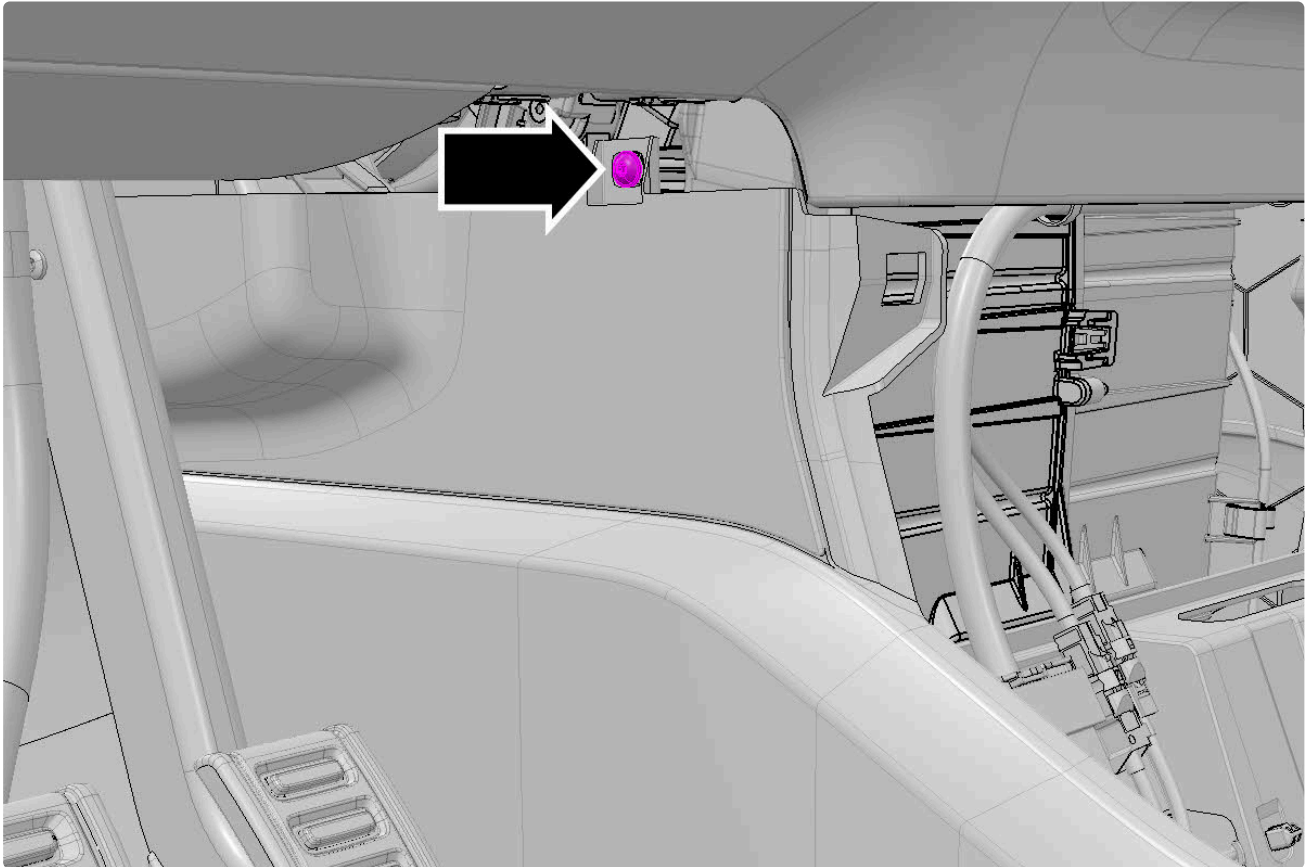
7.



Torque: 3.7 Nm

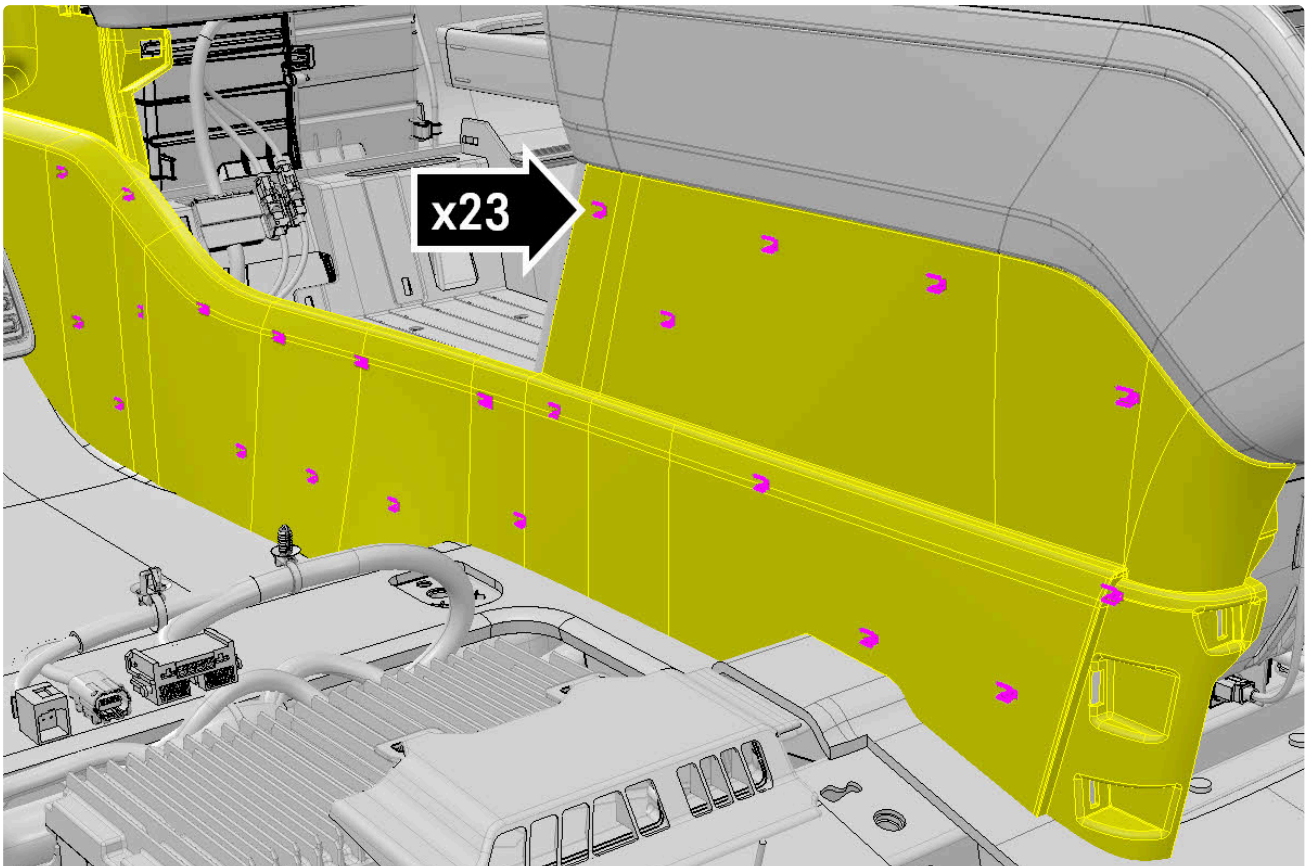
8. Remove: [Cover, Instrument Panel, Bottom, Center, LH \(Remove and Replace\)](#).

9. If equipped:



Torque: 1.5 Nm

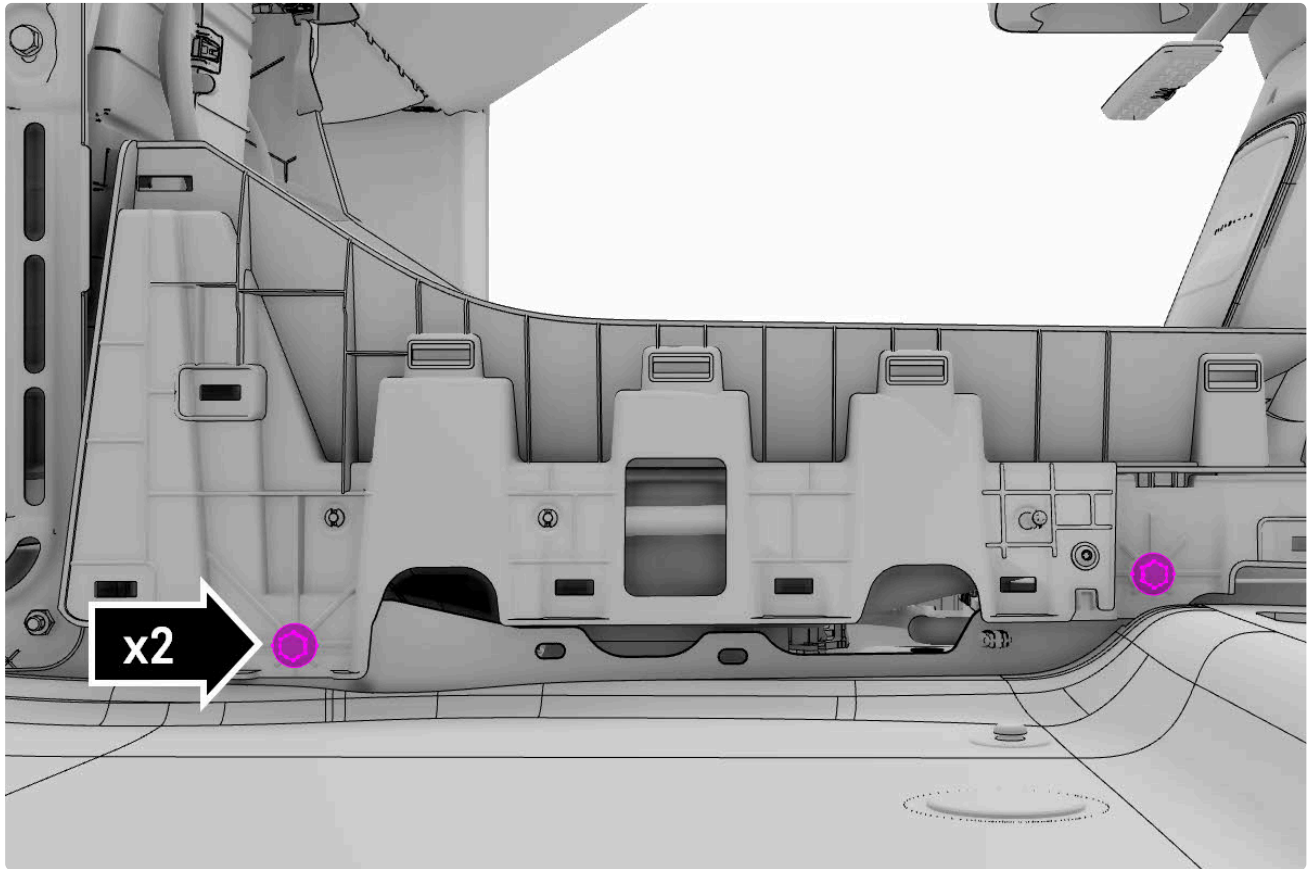
10. Use a trim tool to pry near the highlighted clip(s). Do not fully remove the component at this time.



Note:

Shown with components removed for clarity.

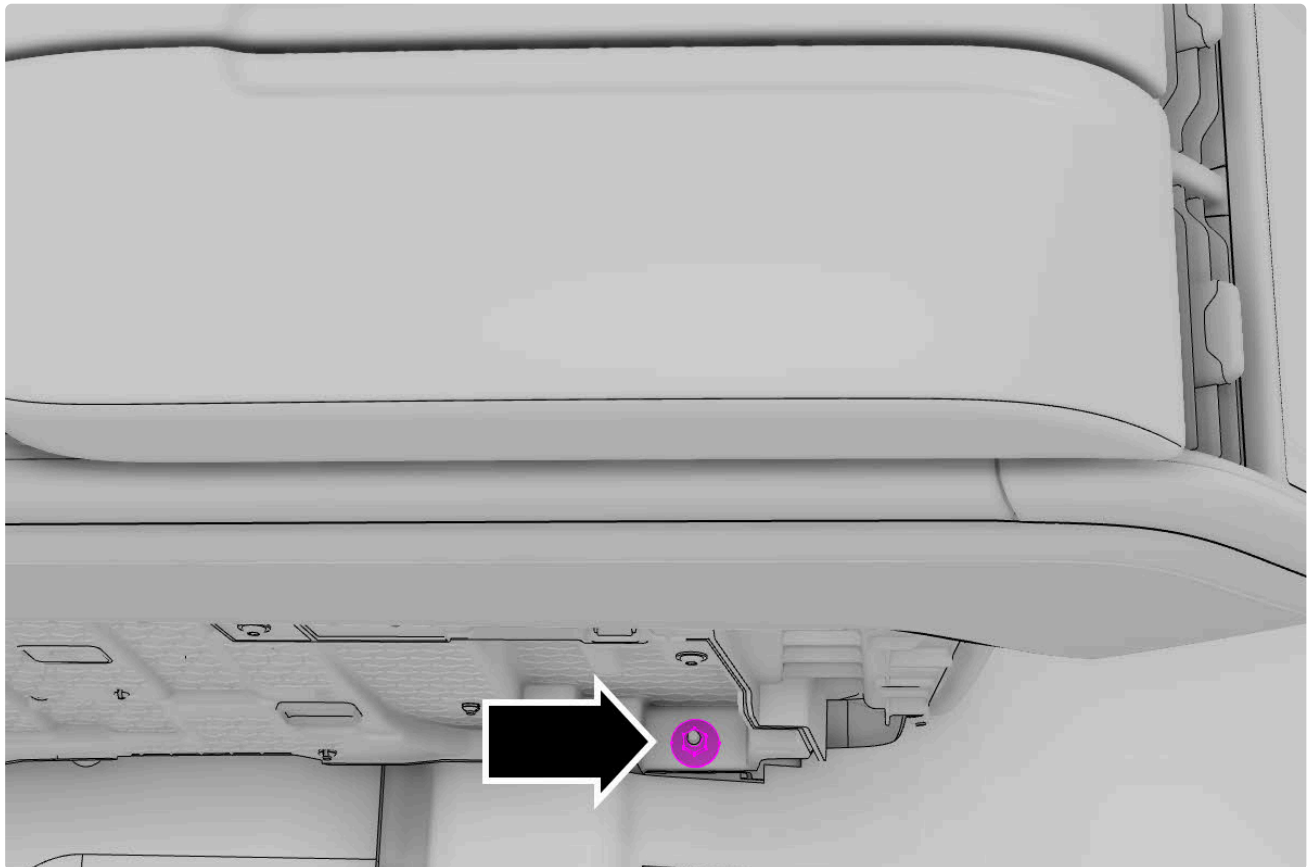
11.



CAUTION:
Potentially non-reusable fastener(s).

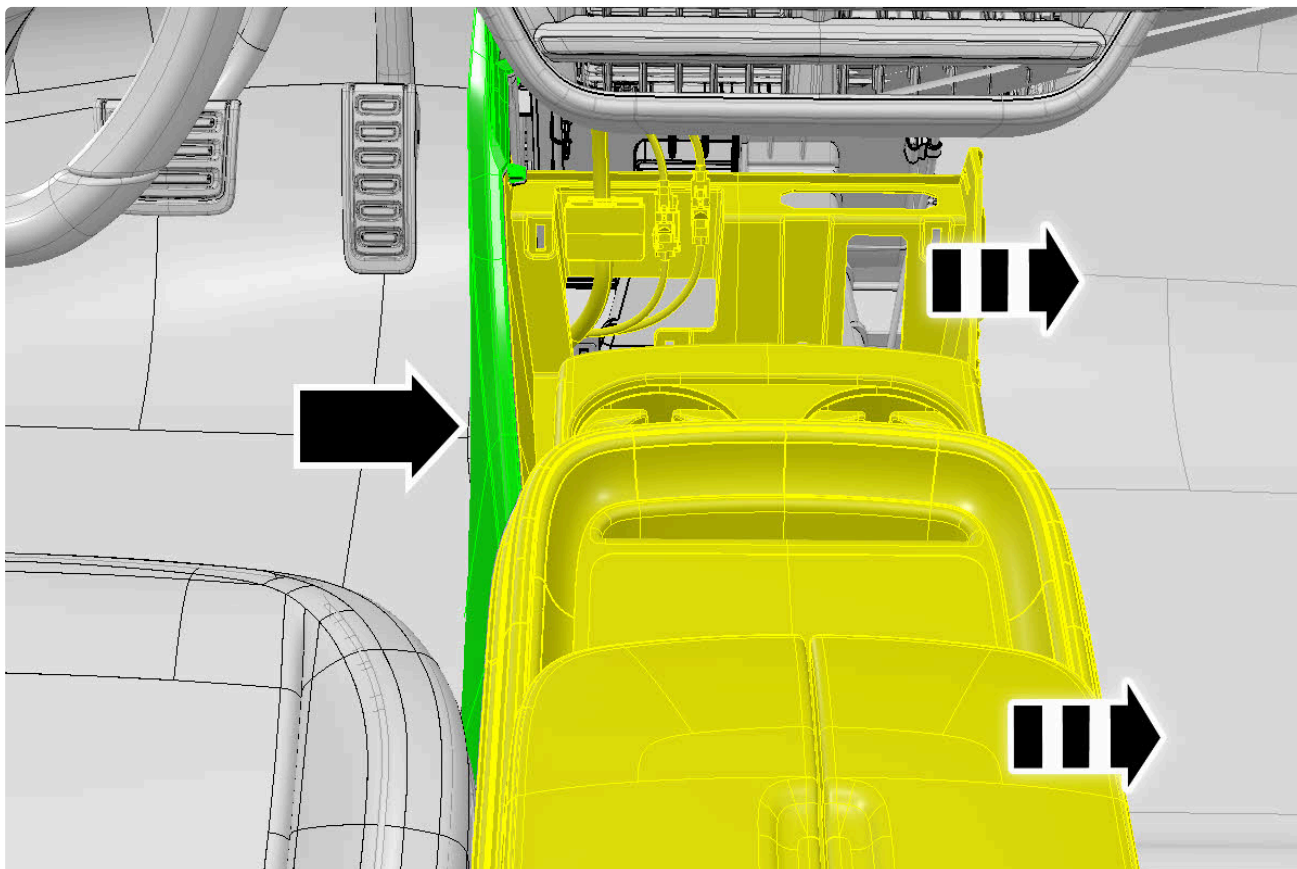
Torque: 3.7 Nm

12.

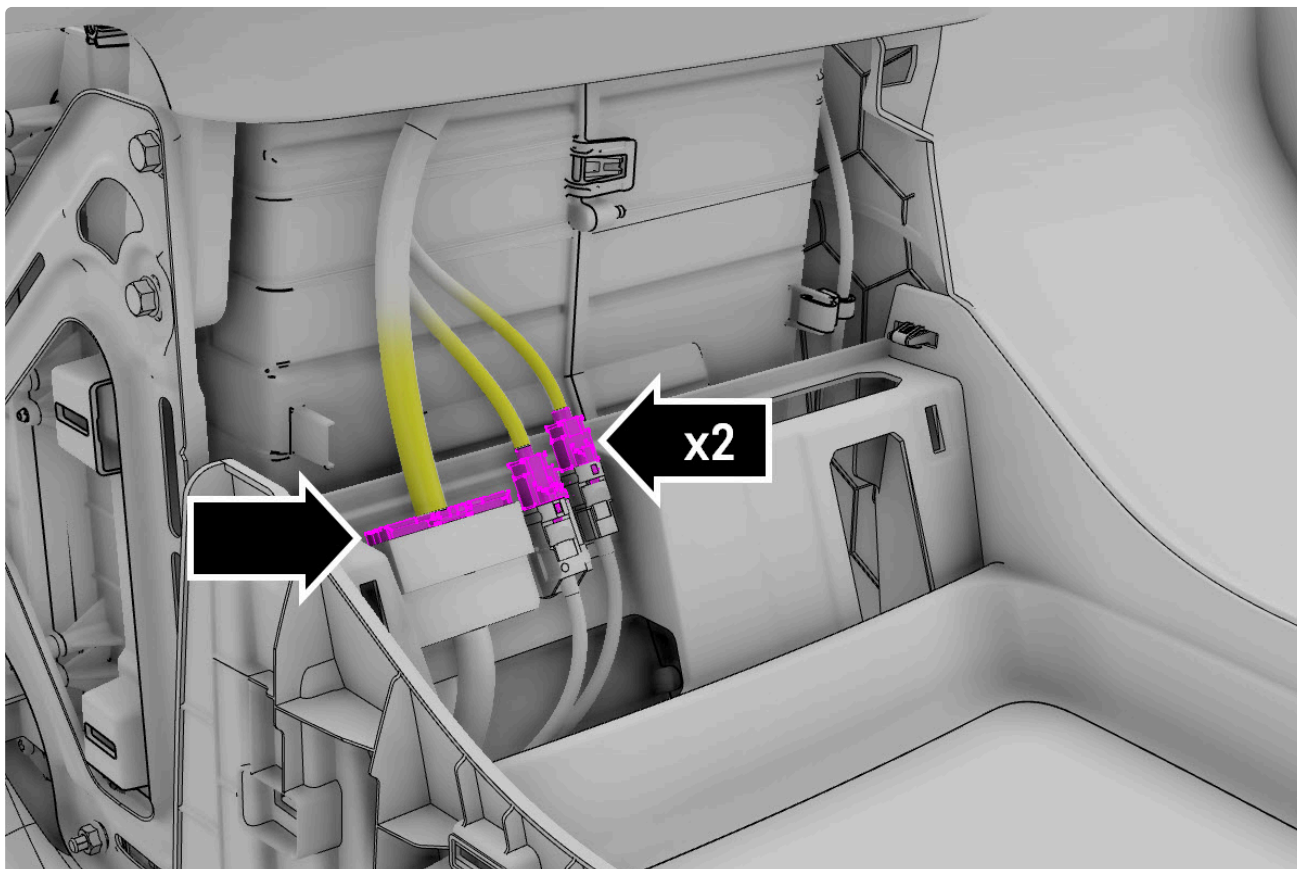


Torque: 3.7 Nm

13.



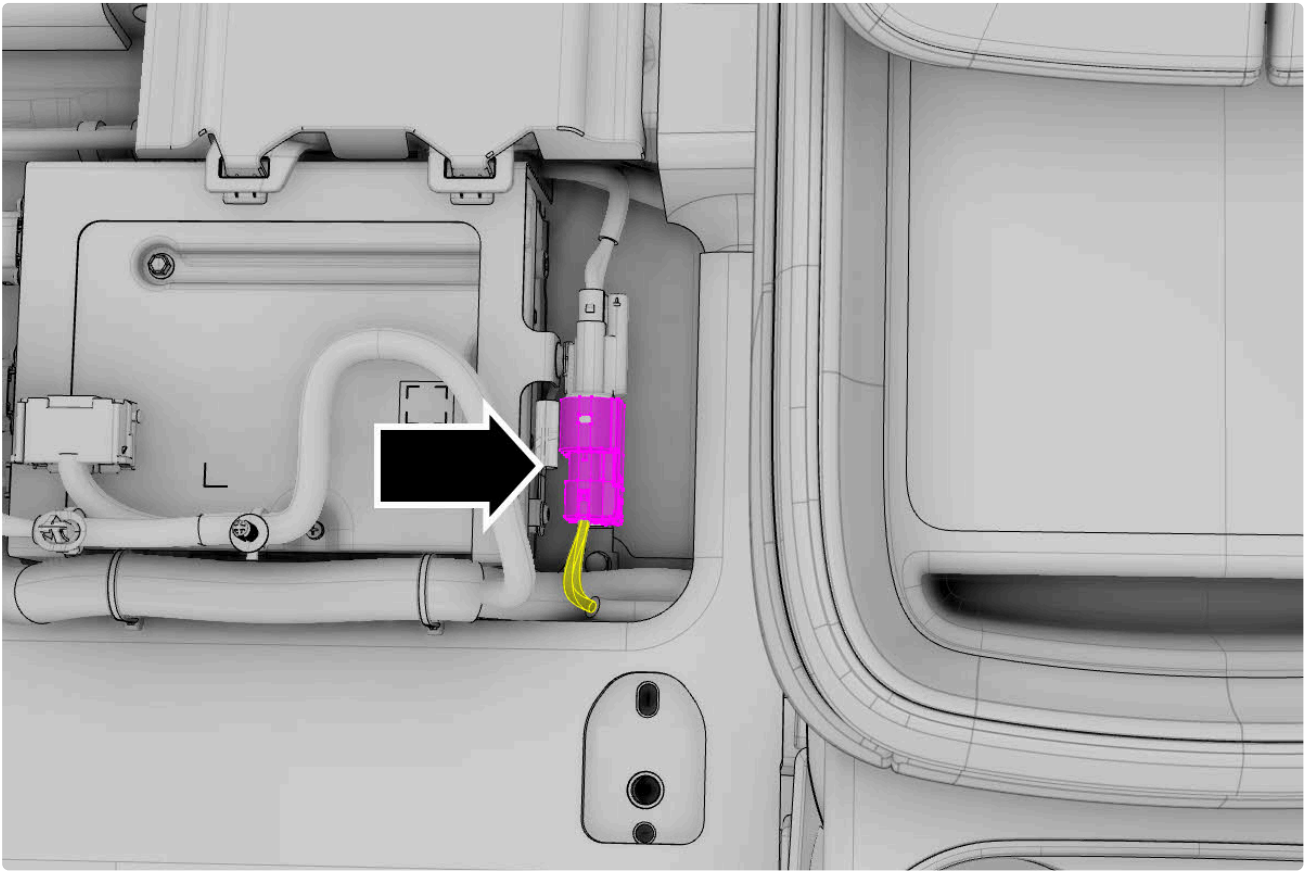
14.



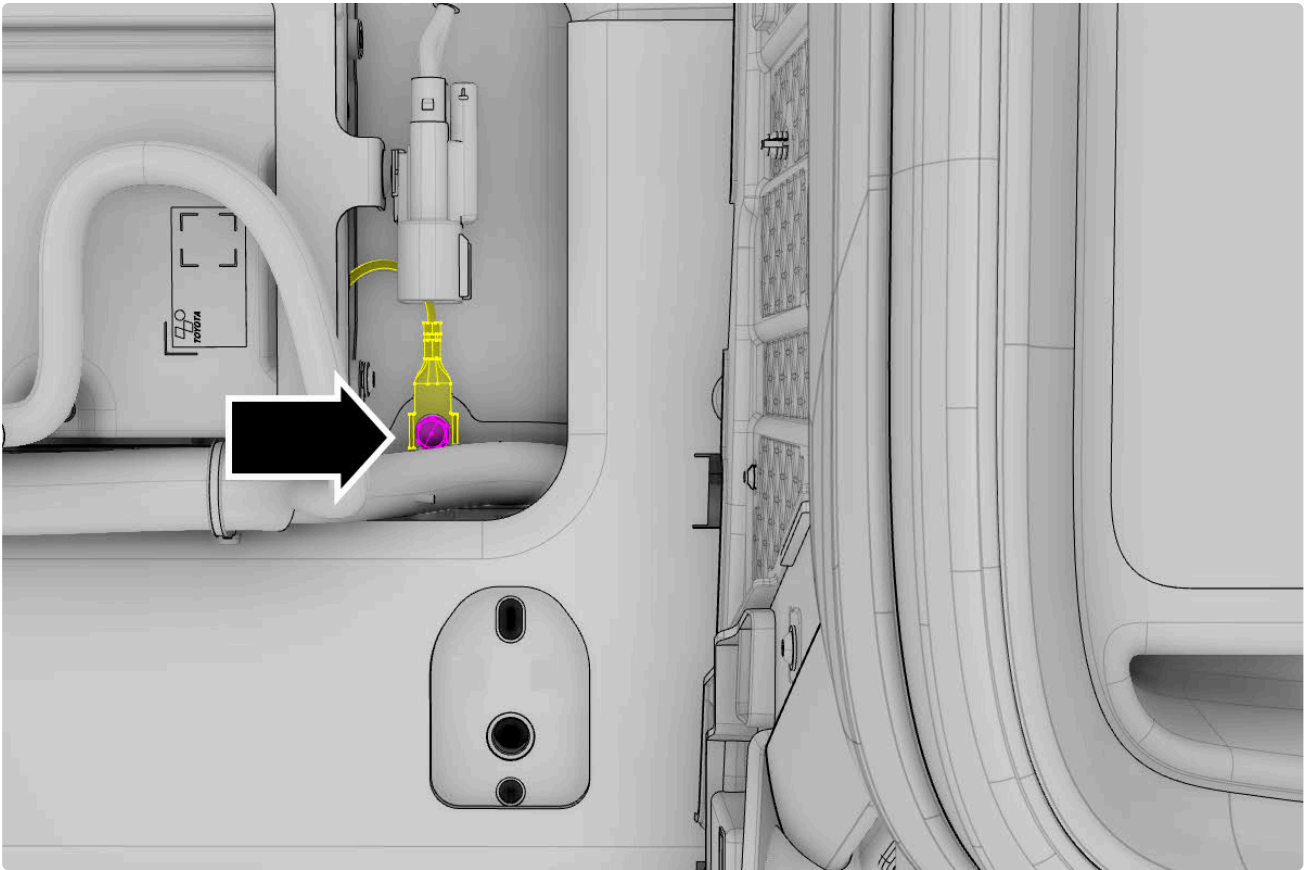
15. On the RH side:

Note:

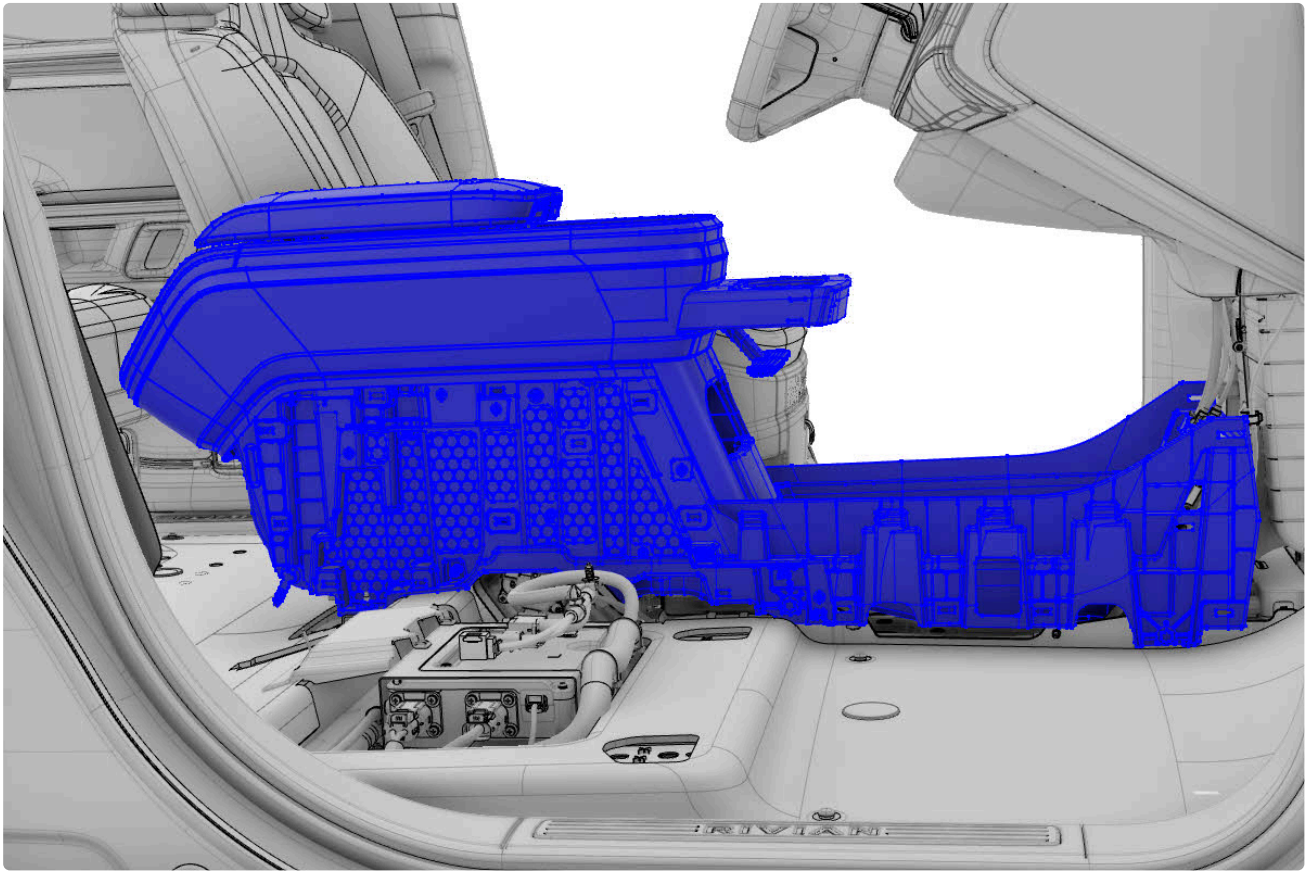
This connector carries 120 V. Disabling high voltage is not required.



16.

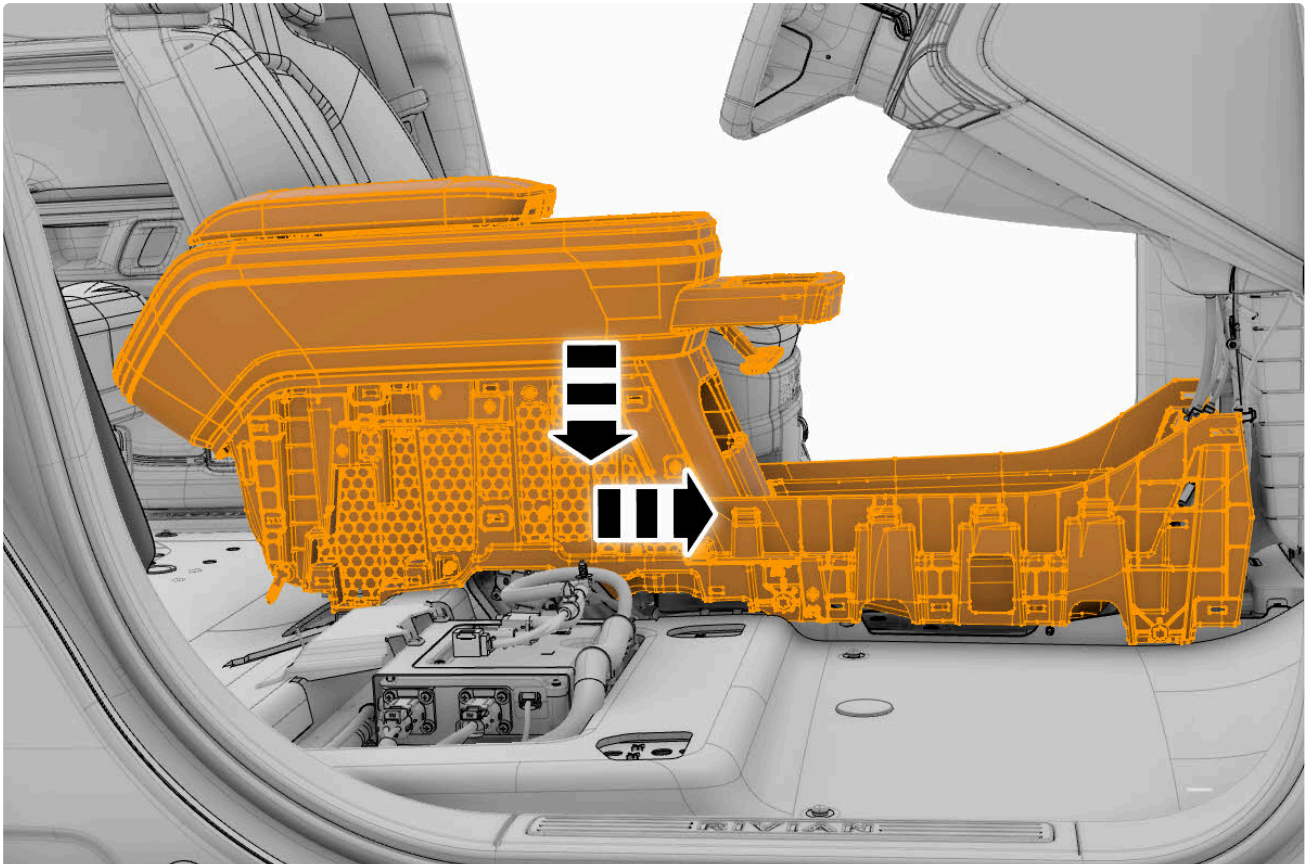


Torque: 8.5 Nm



Installation

Installation is the reverse of removal, except for the following:



CAUTION:

Replace all non-reusable components.