

Trim Panel, B-Pillar, Upper, LH (Remove and Replace)

Labor Code: 642815010

Important:

This manual is written for professional automotive technicians who have received high voltage training. It is the technician's responsibility to make sure that the vehicle is safe to work on before beginning inspections or repairs, and to perform all work in a safe manner and in a safe work environment. Refer to the [Introduction](#) section for additional important information.

Torque Specifications:

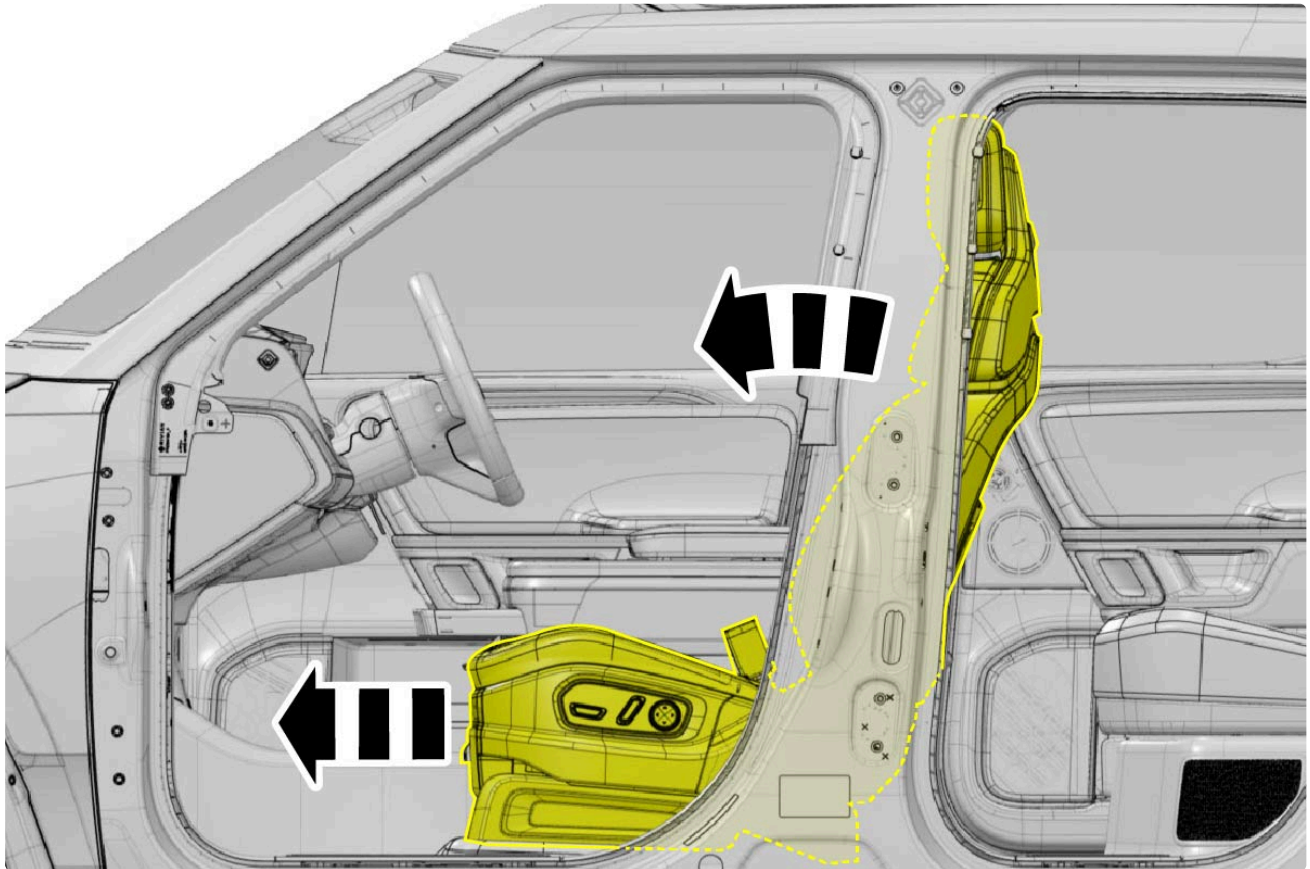
Step Number	Torque (Nm)
<u>3</u>	3

Removal

Warning:

This component must be replaced any time that it is removed.

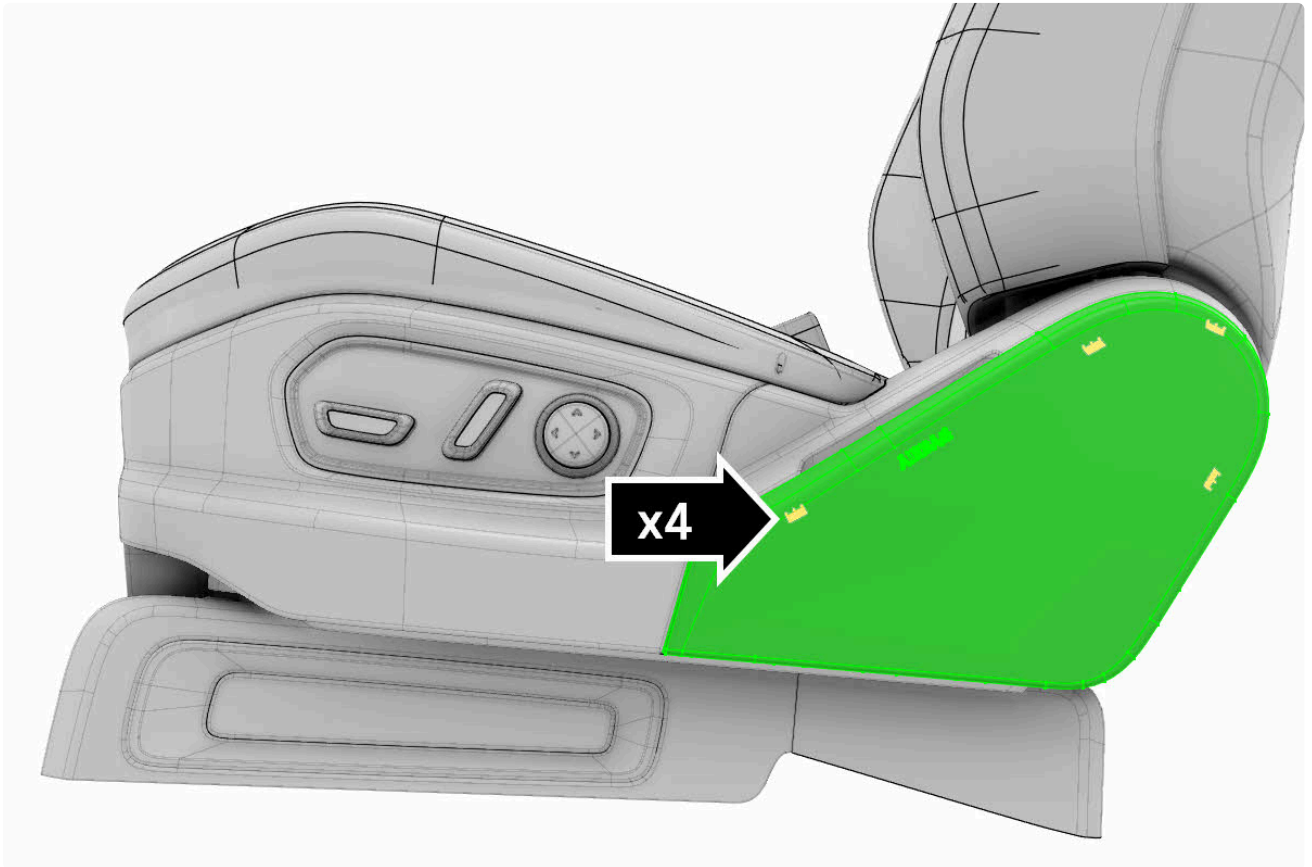
1. Place the key outside of the vehicle.
- 2.



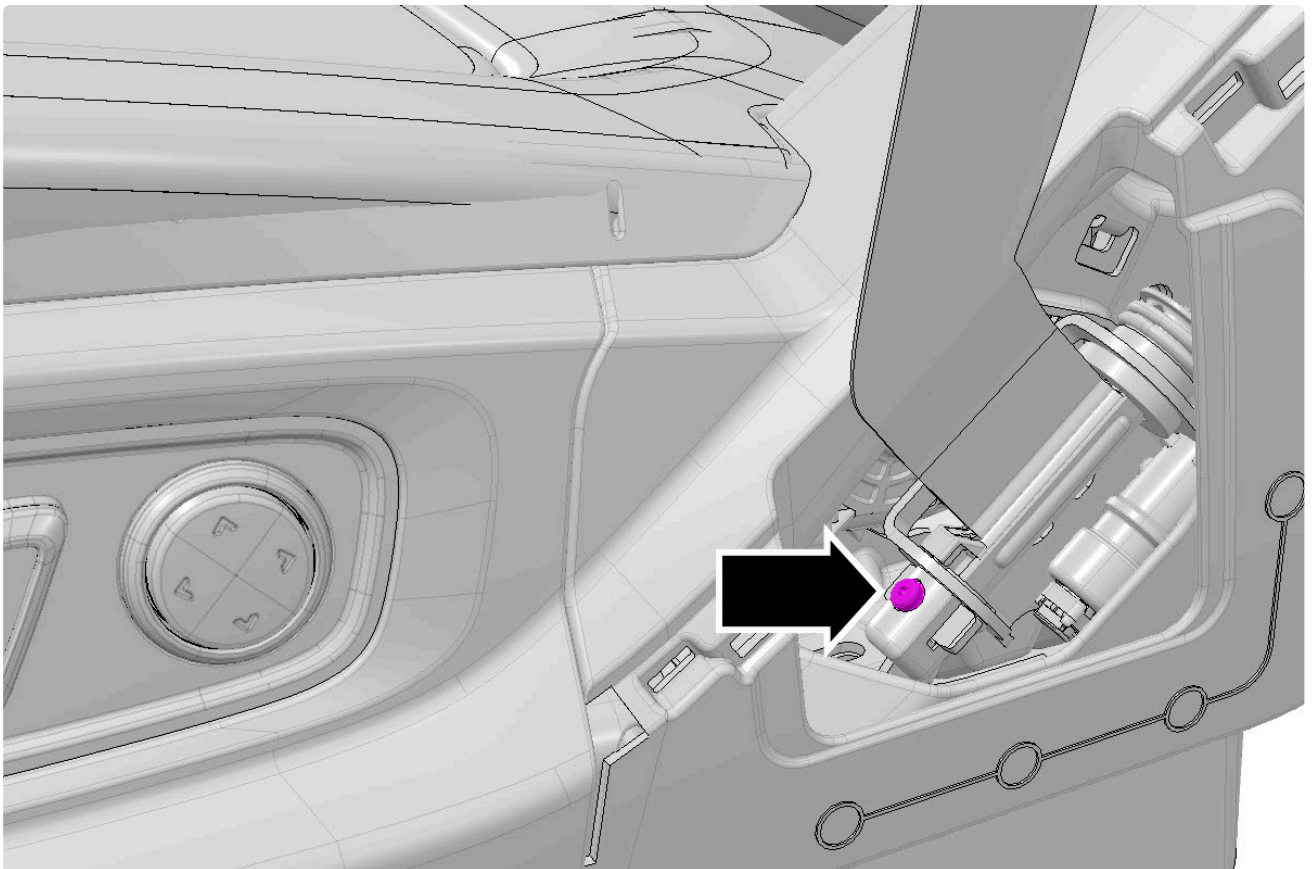
Warning:

Make sure the vehicle is off before continuing to the next step.

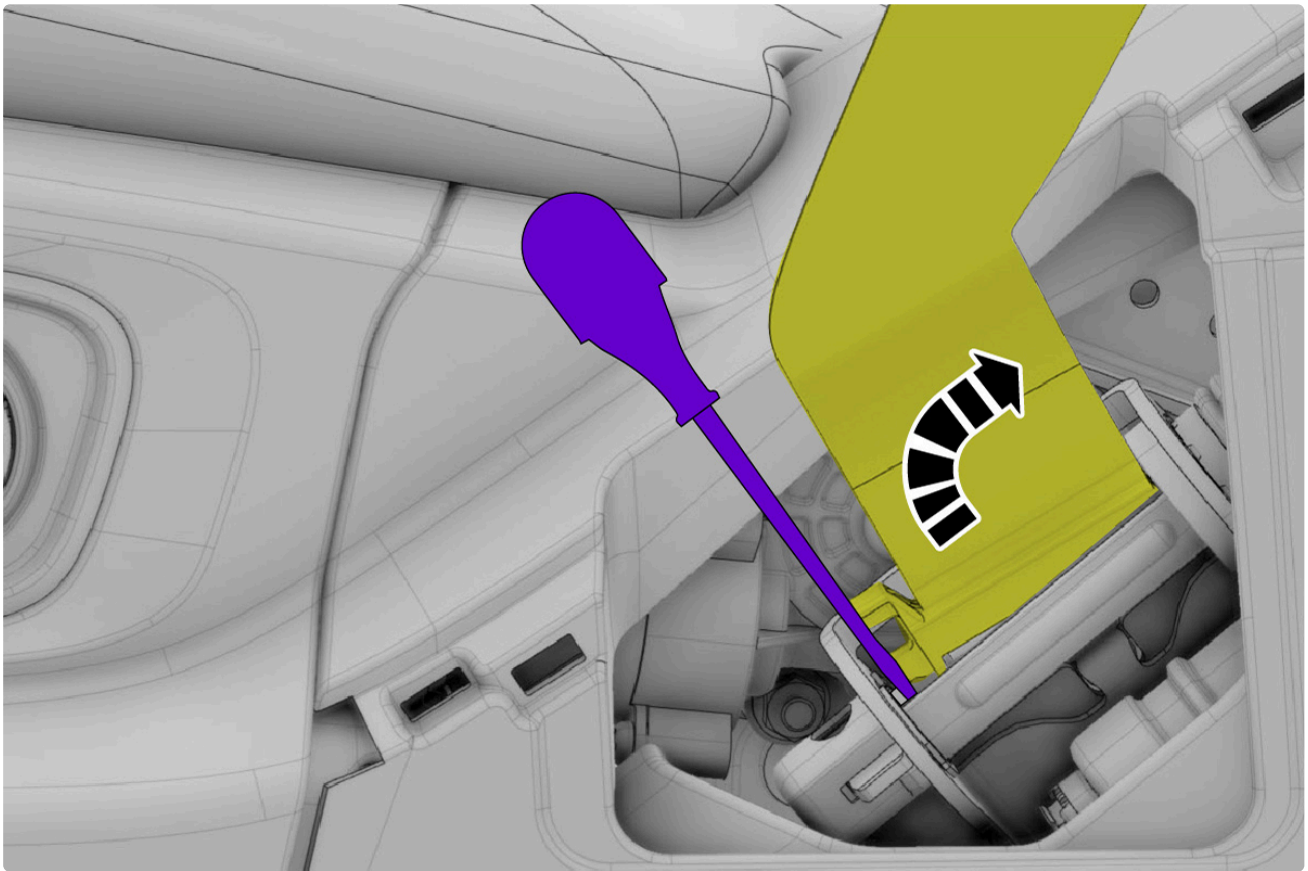
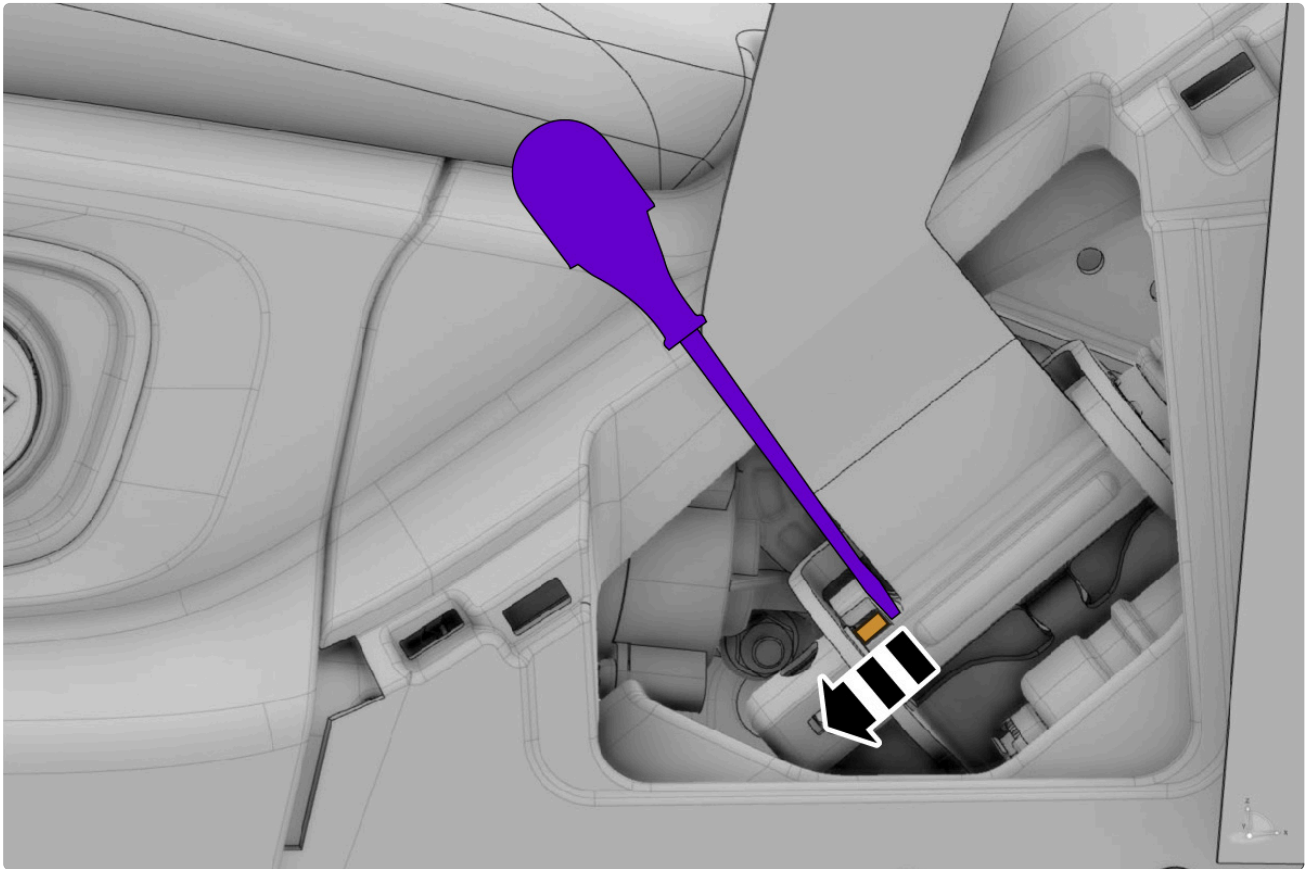
3. Use a trim tool to pry near the highlighted tab(s).



4.



5. Using a flat blade screwdriver or similar tool:

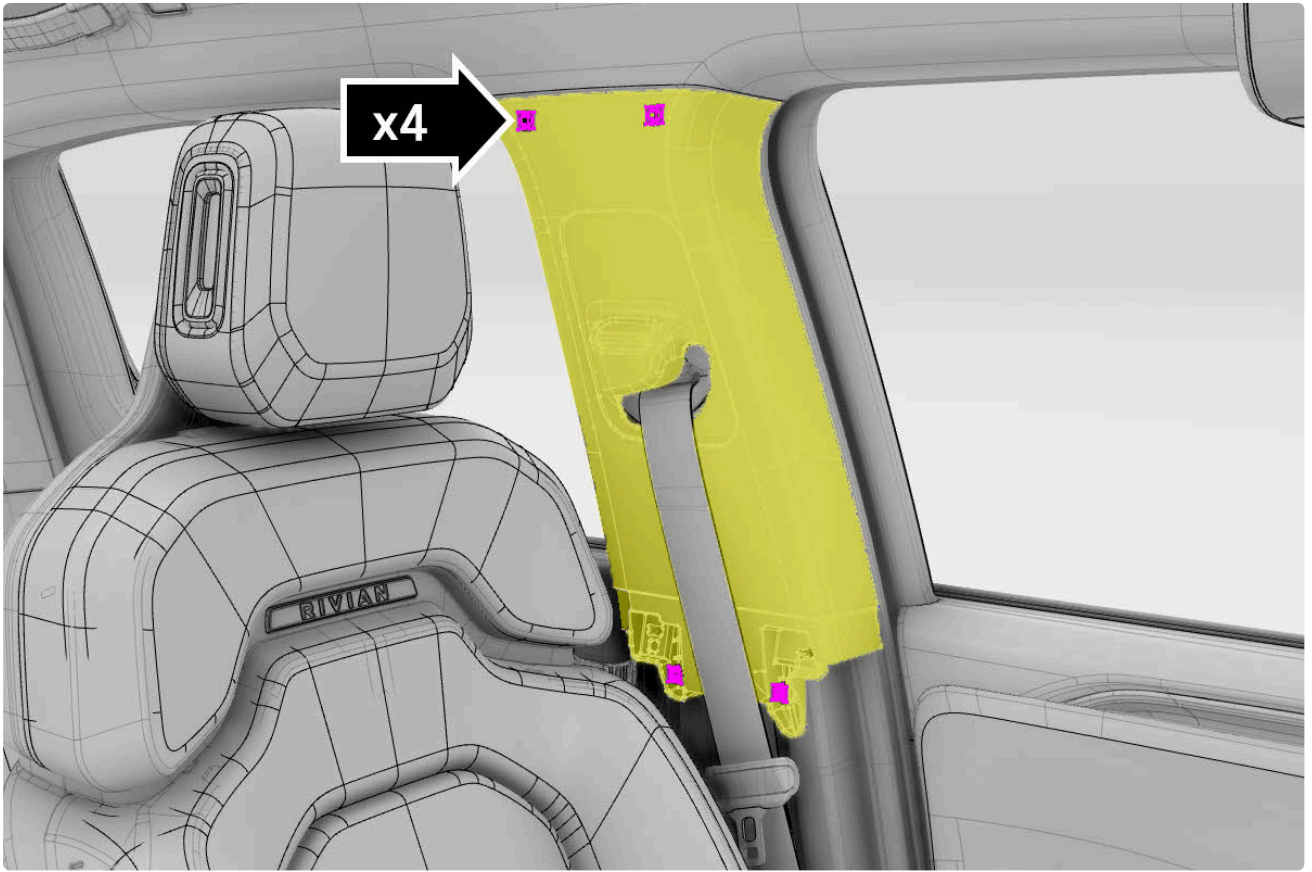


Tip:

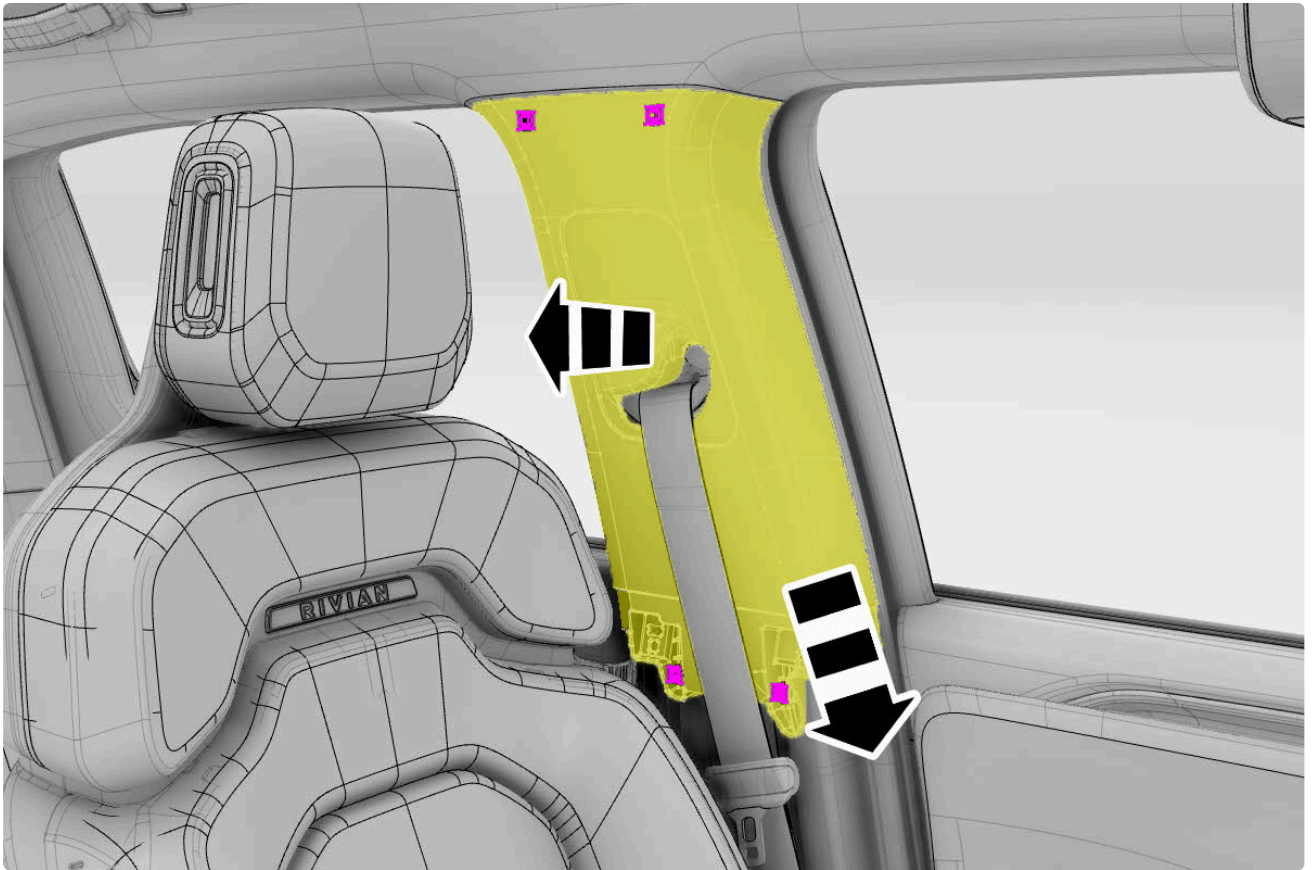
To prevent staining, change gloves or wash hands when switching from removing other parts to handling this component.

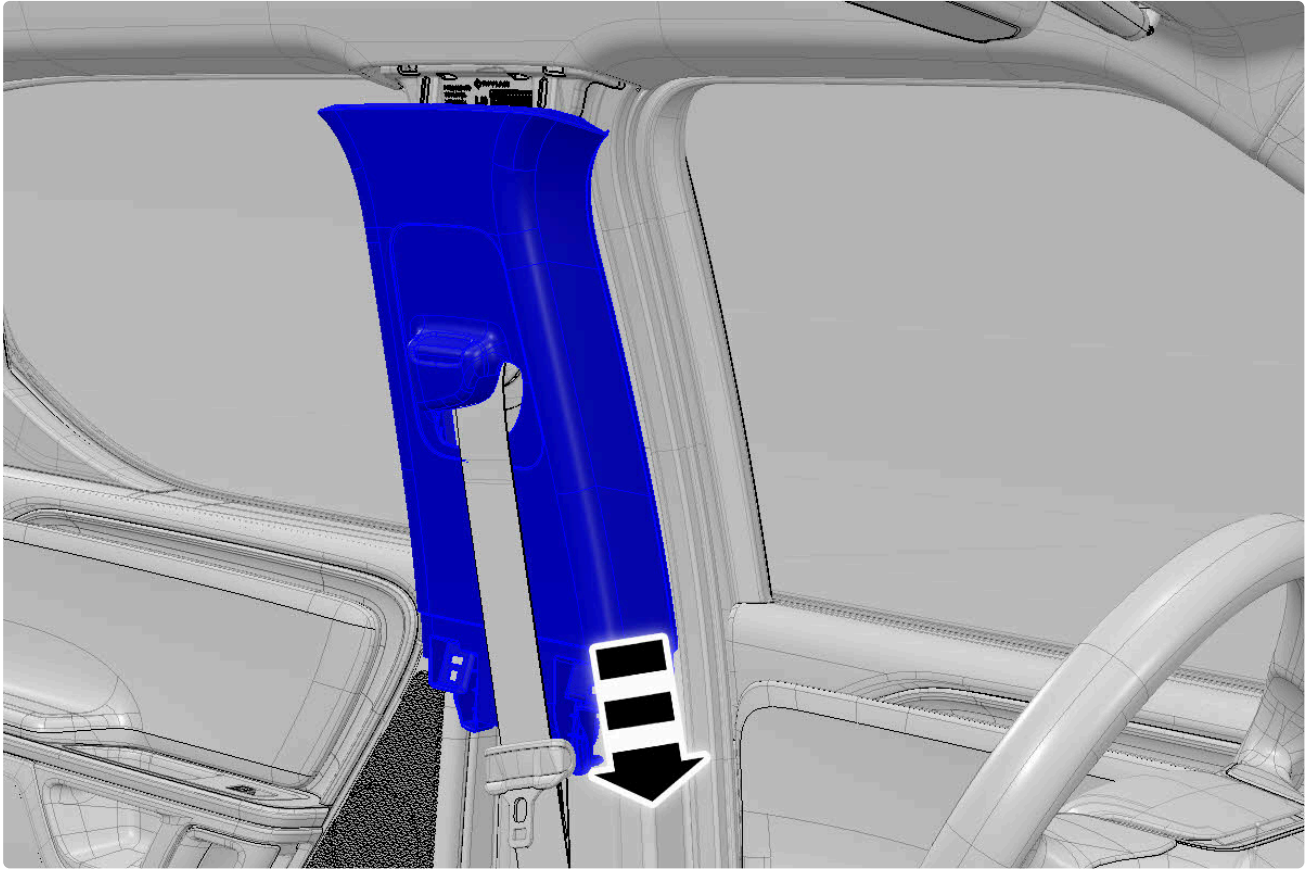
6. Remove: [Trim Panel, B-Pillar, Lower, LH \(Remove and Replace\)](#).

7. Pry from the bottom of the component.



8.



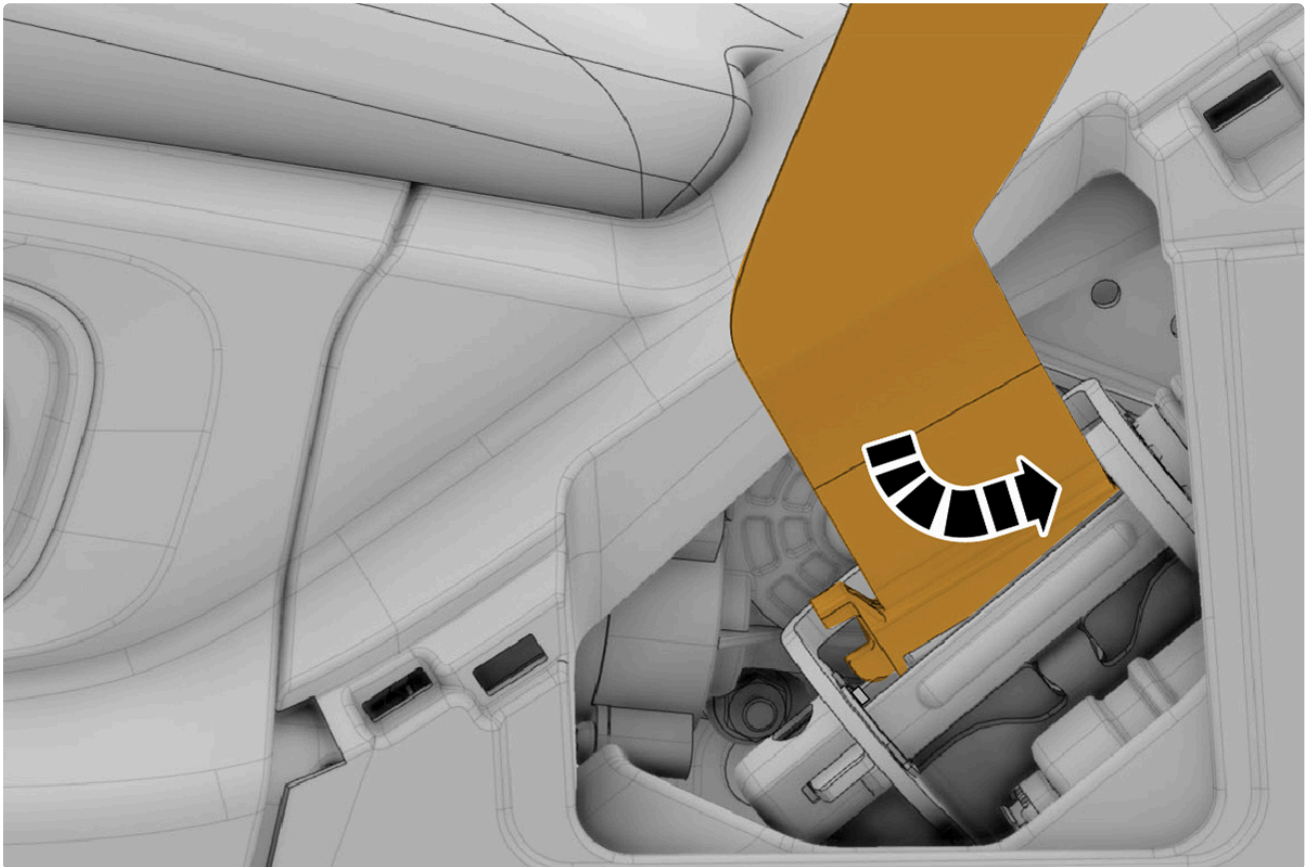


Installation

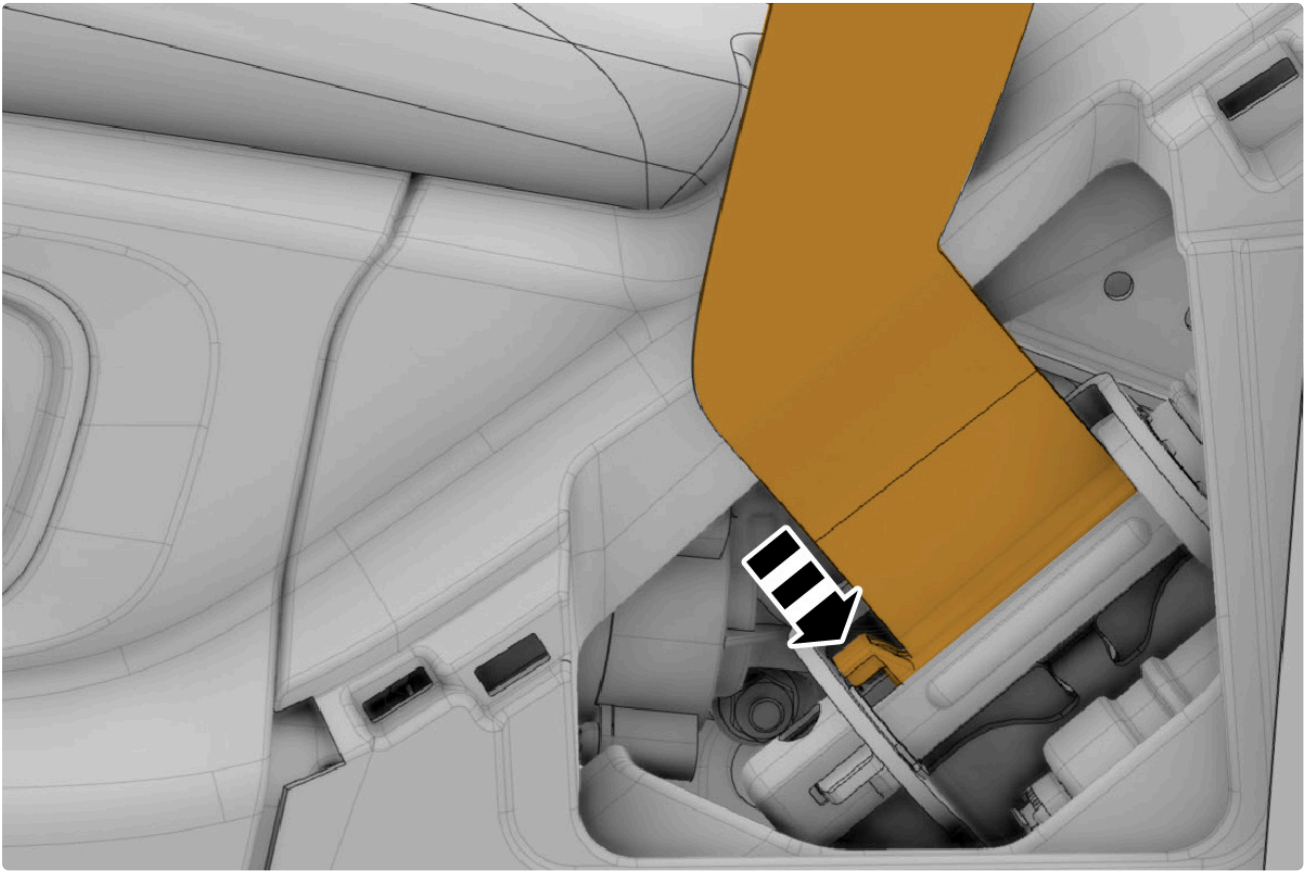
Installation is the reverse of removal, except for the following:

When installing the tongue:

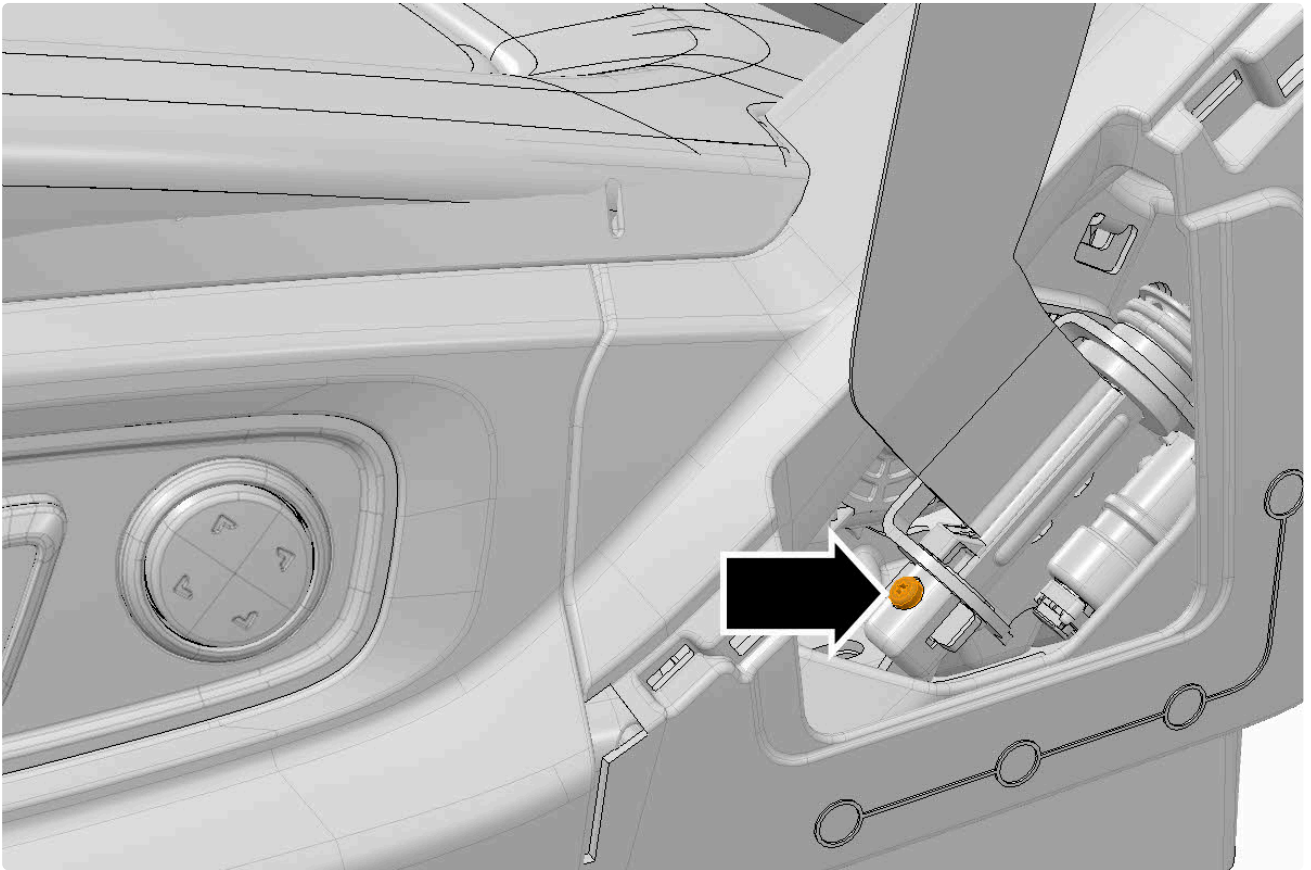
- 1.



2.



3. Install:



Torque: 3 Nm