

Trim Panel, Center Console, Lower, Rear (Remove and Replace)

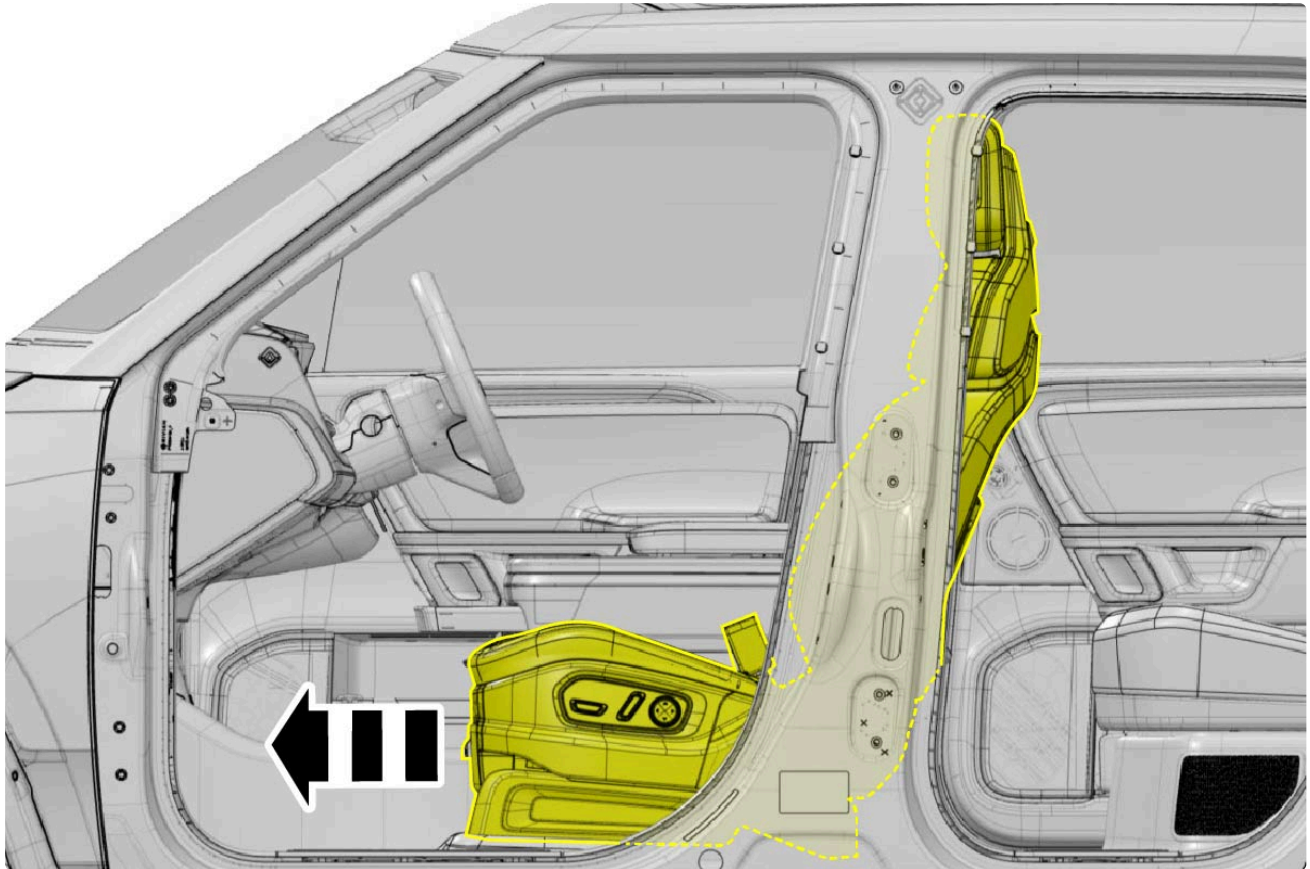
Labor Code: 643724010

Important:

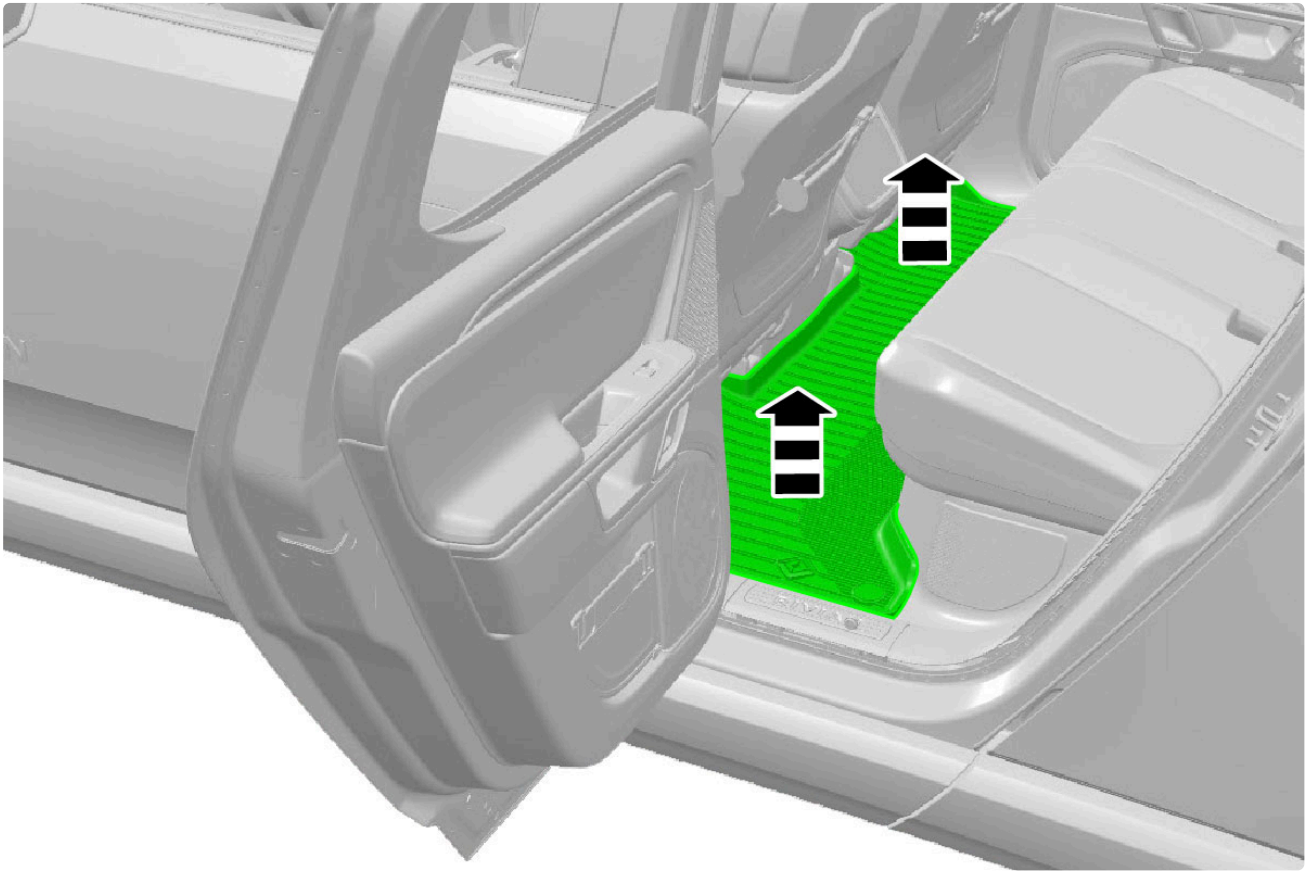
This manual is written for professional automotive technicians who have received high voltage training. It is the technician's responsibility to make sure that the vehicle is safe to work on before beginning inspections or repairs, and to perform all work in a safe manner and in a safe work environment. Refer to the [Introduction](#) section for additional important information.

Removal

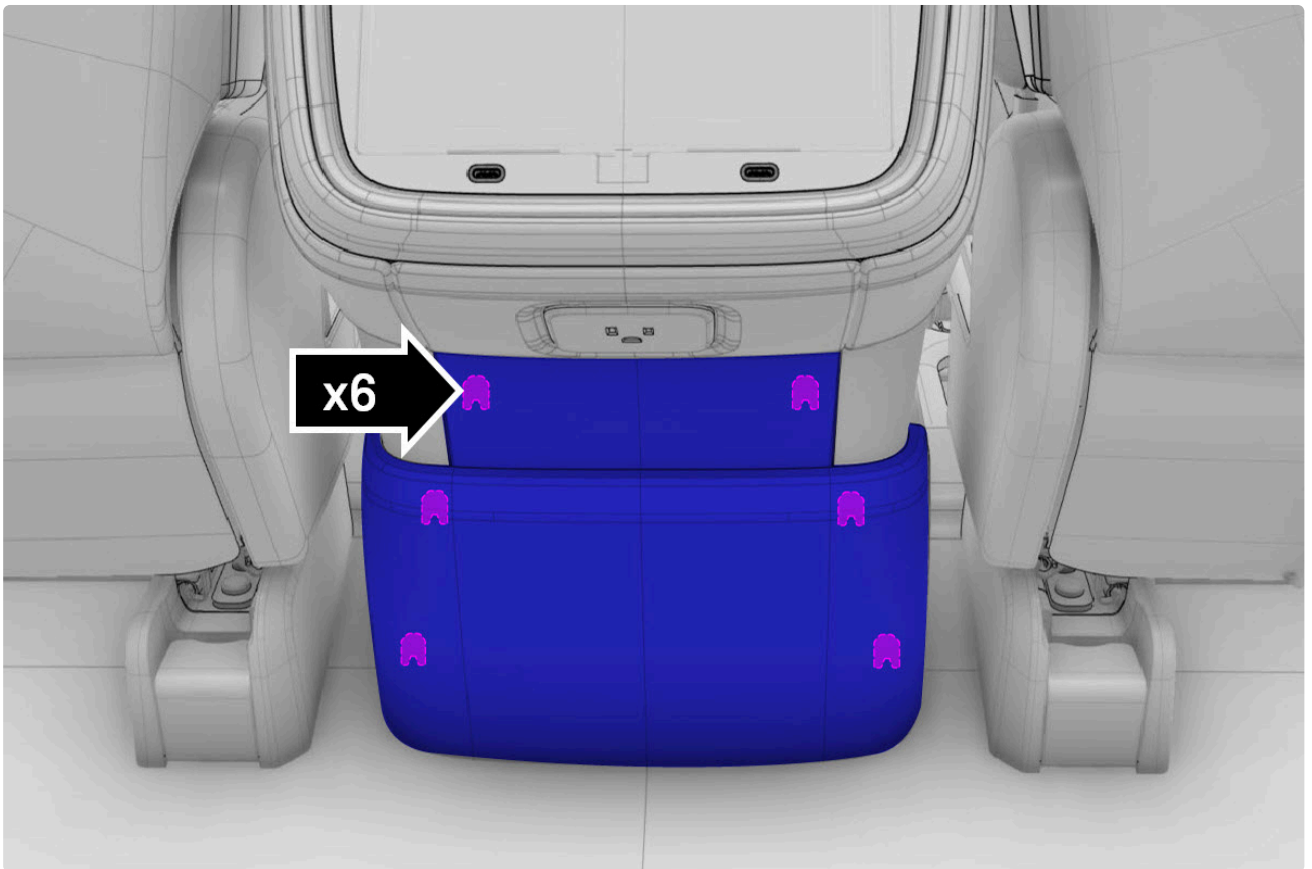
1. On both sides of the vehicle:



2.



3. Use a trim tool to pry near the highlighted clip(s).



Installation

Installation is the reverse of removal, except for the following:

- If the same component will be re-installed: Check the towers that support the U-shaped metal clips. Bent or misaligned clip towers can be bent into the proper position [if they are not cracked or torn](#). If a clip tower is cracked or torn, replace the component.

- If the same component will be re-installed: Replace any damaged clips.