

# Trim Panel, D-Pillar, Upper, LH (Remove and Replace)

Labor Code: 642823010

**Important:**

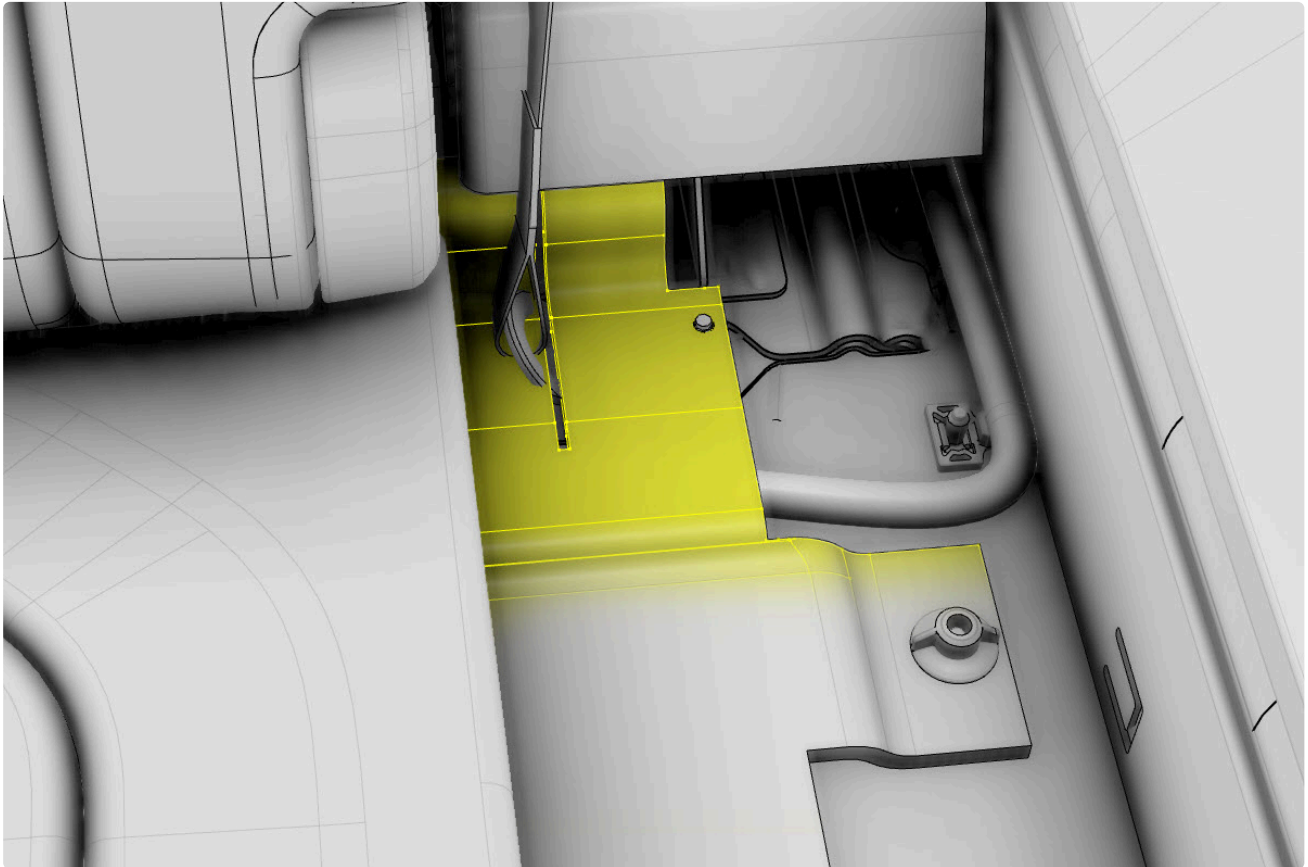
This manual is written for professional automotive technicians who have received high voltage training. It is the technician's responsibility to make sure that the vehicle is safe to work on before beginning inspections or repairs, and to perform all work in a safe manner and in a safe work environment. Refer to the [Introduction](#) section for additional important information.

**Torque Specifications:**

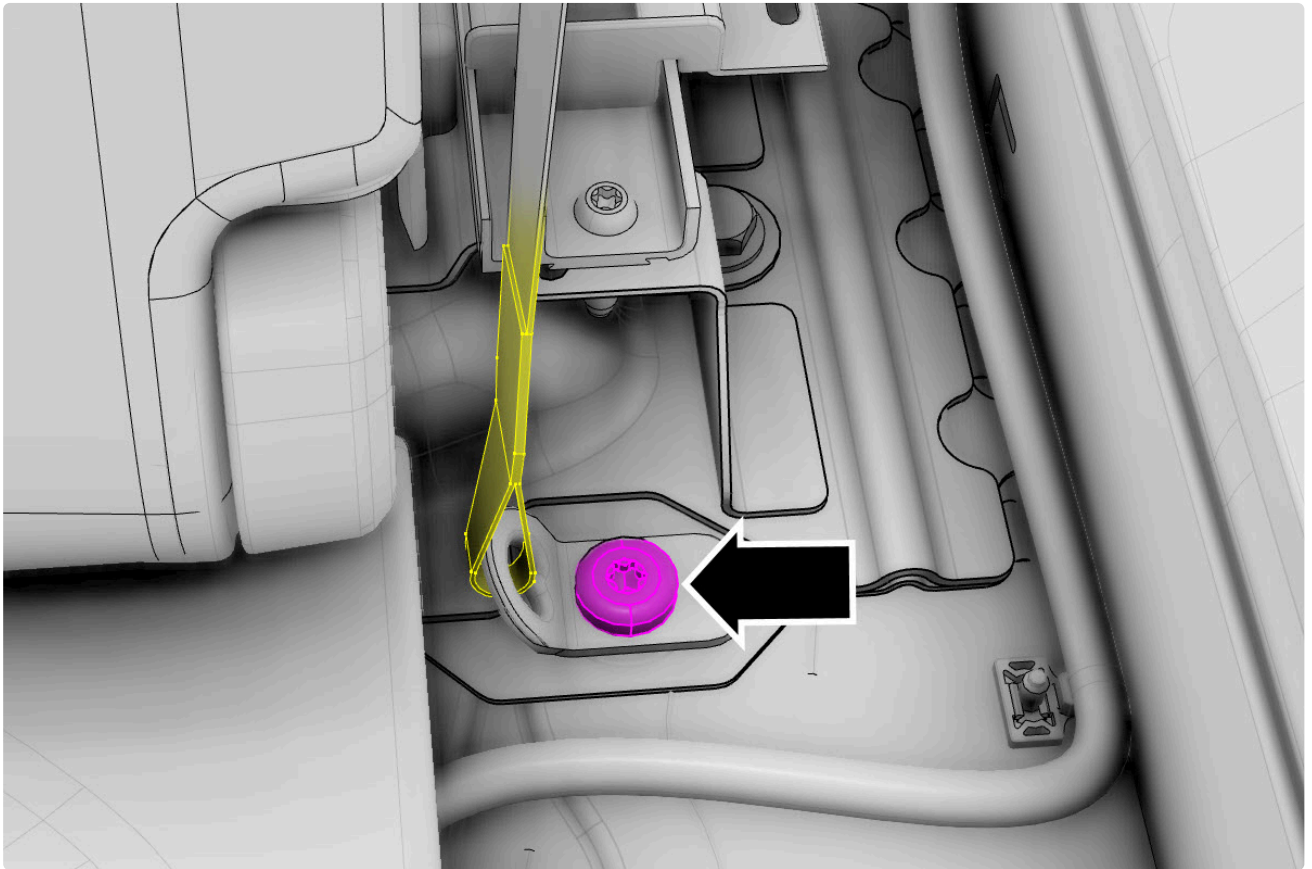
Step Number	Torque (Nm)
<a href="#">3</a>	39
<a href="#">7</a>	0.8

## Removal

1. Remove: [Trim Panel, Quarter Panel, LH \(Remove and Reinstall\)](#).
- 2.



3.



Torque: 39 Nm

4. Remove: [Trim Panel, Roof, Rear \(Remove and Replace\)](#).

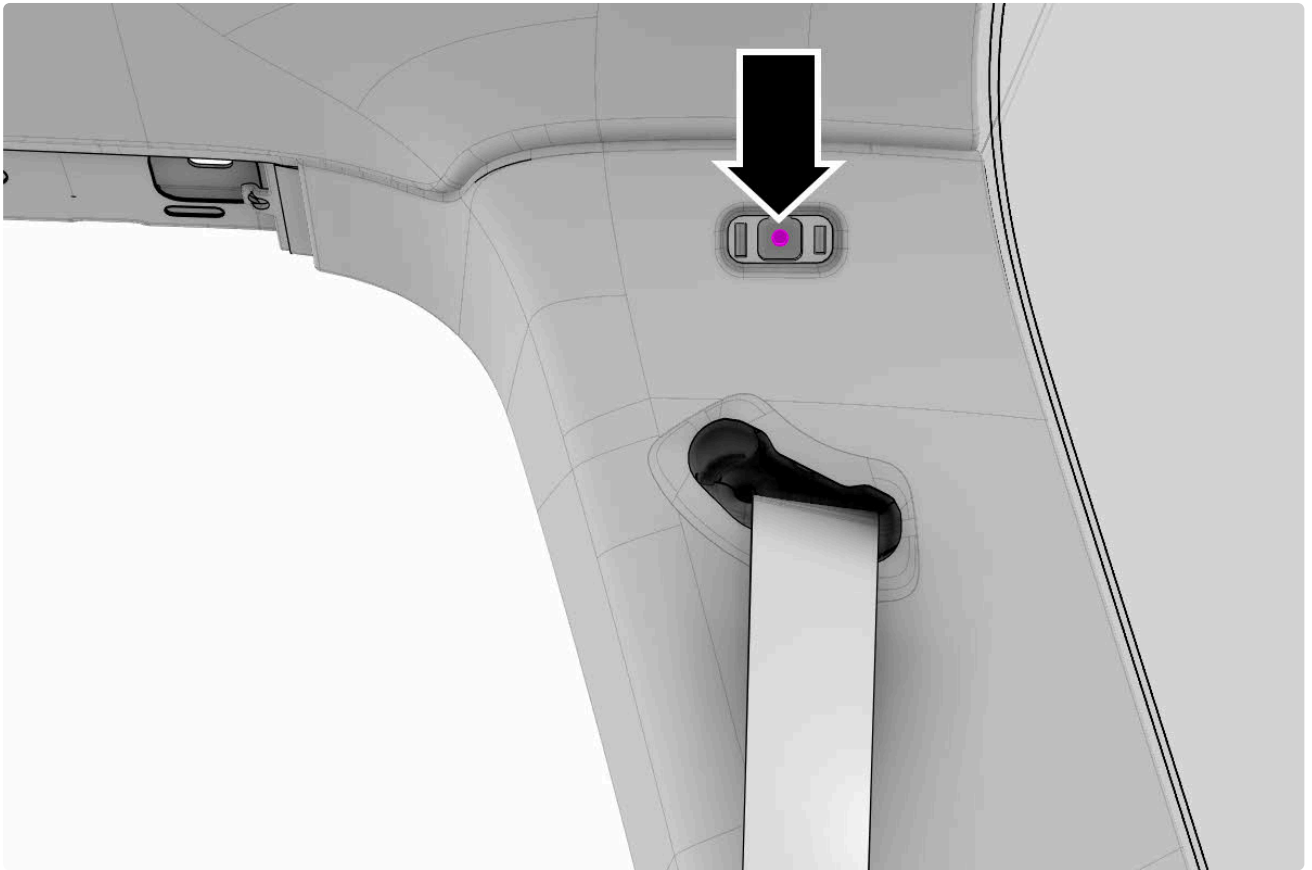
5.



6.

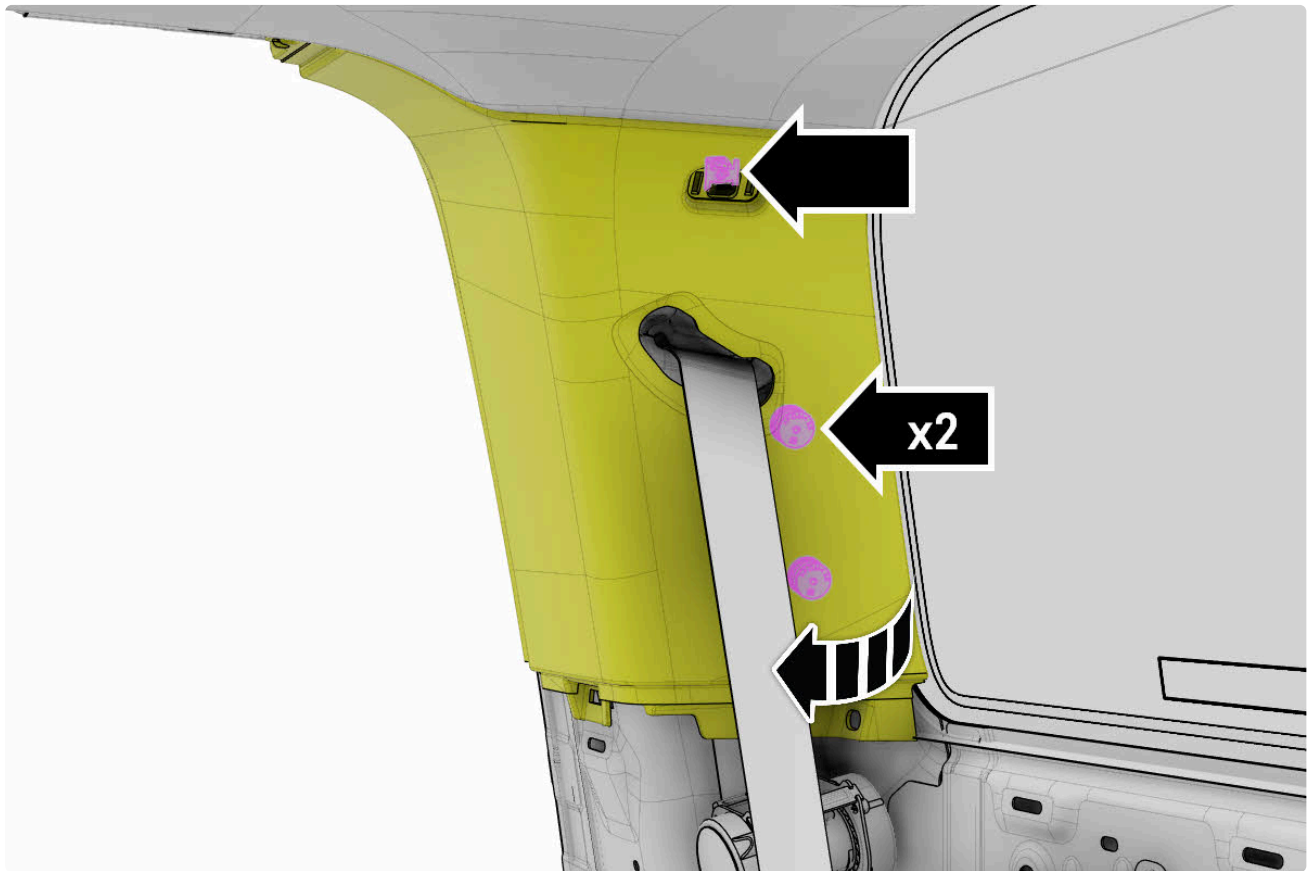


7. If equipped:

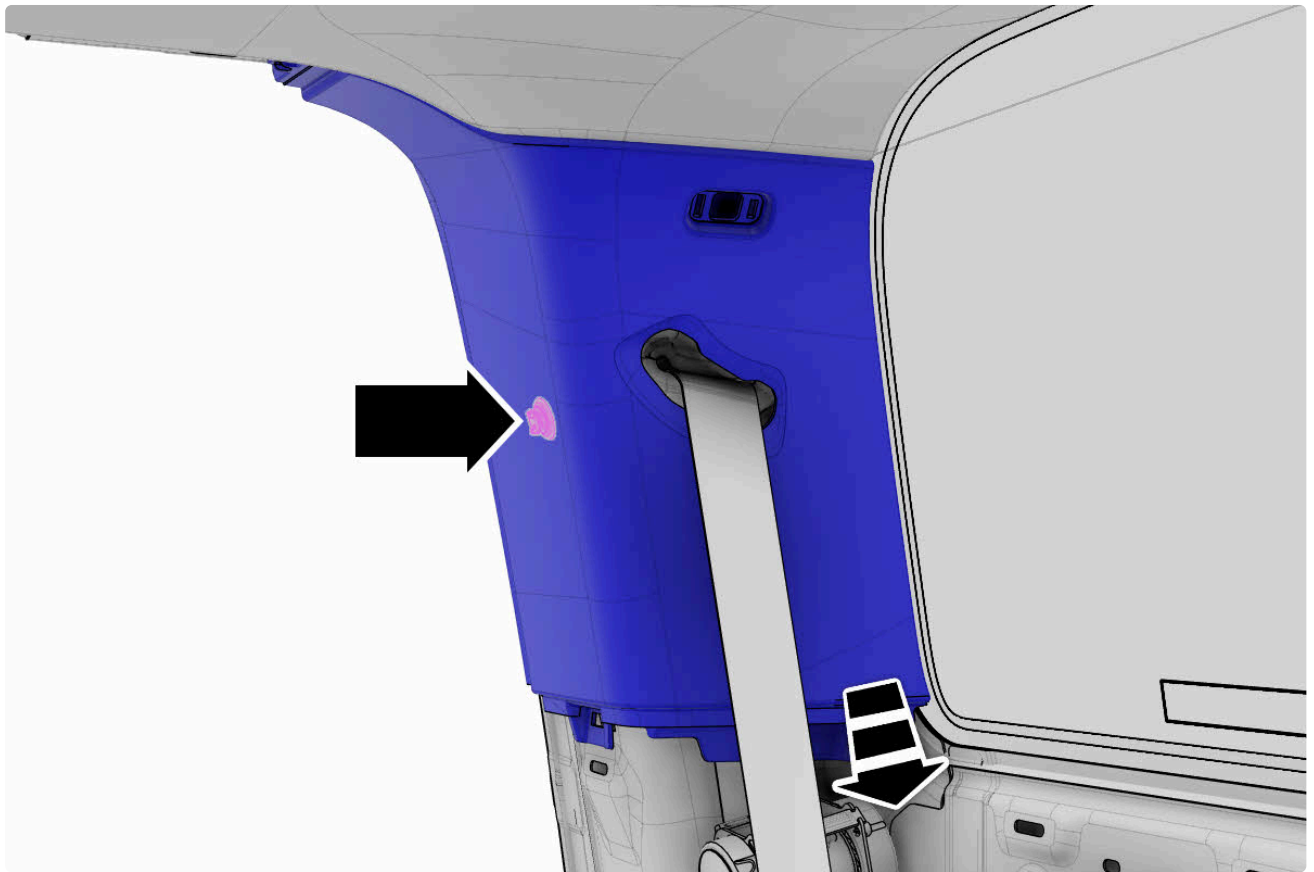


Torque: 0.8 Nm

8. Use a trim tool to pry near the highlighted clip(s).



9. Release the highlighted magnet.



**Note:**

The number of fasteners varies depending on the revision level of the component.

# Installation

Installation is the reverse of removal.