

Trim Panel, Rear Door, LH (Remove and Replace)

Labor Code: 641911010

Important:

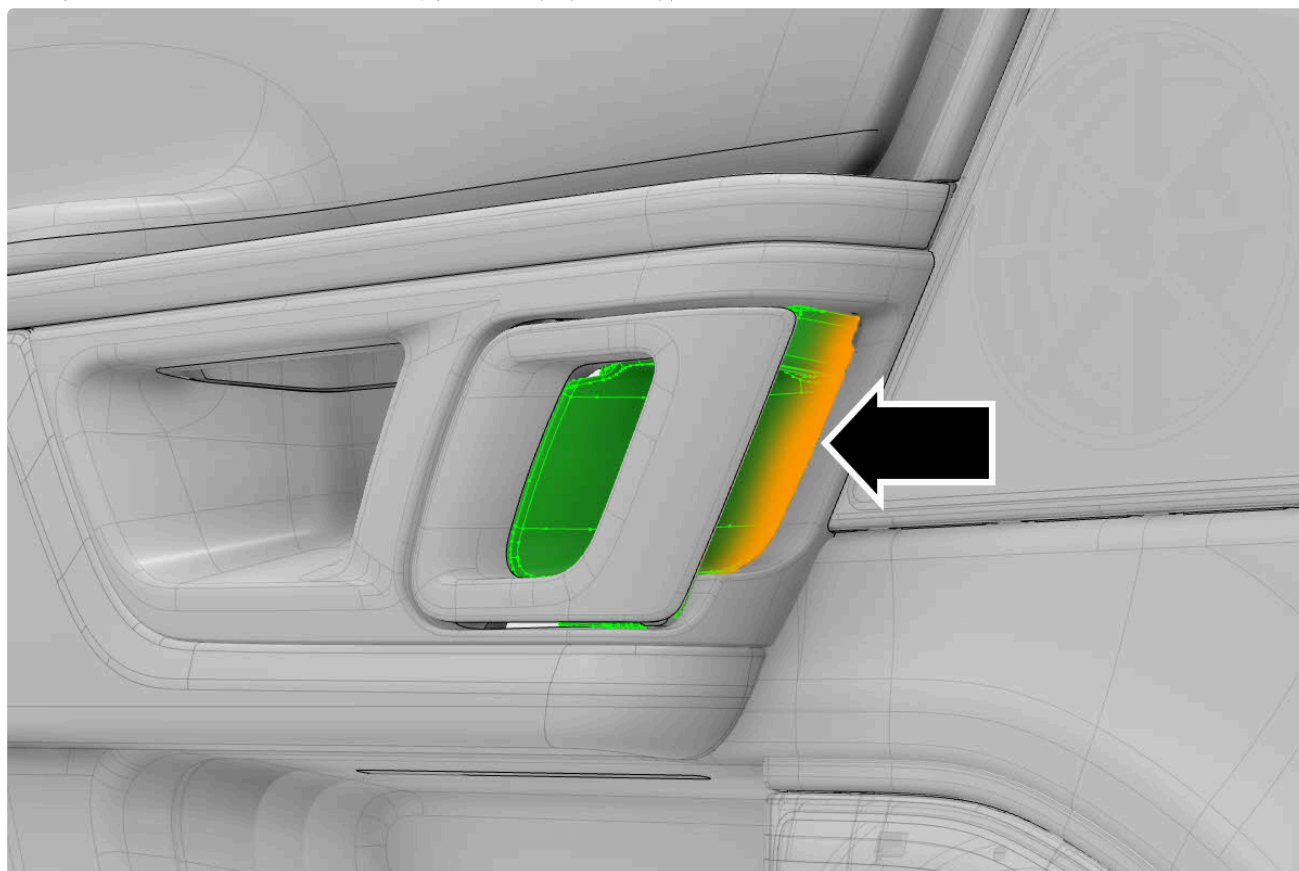
This manual is written for professional automotive technicians who have received high voltage training. It is the technician's responsibility to make sure that the vehicle is safe to work on before beginning inspections or repairs, and to perform all work in a safe manner and in a safe work environment. Refer to the [Introduction](#) section for additional important information.

Torque Specifications:

Step Number	Torque (Nm)
4	2.6
6	2.6

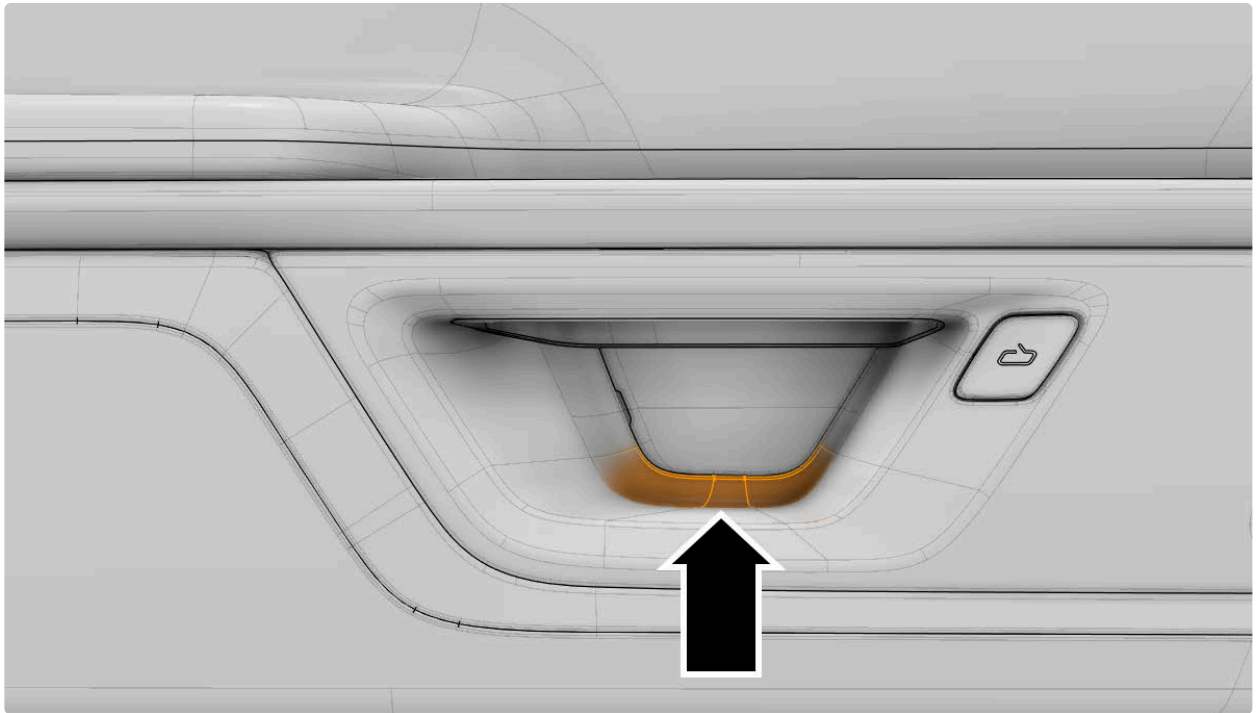
Removal

1. Model year 2022-2024 vehicles: Use a trim tool to pry near the highlighted area(s).

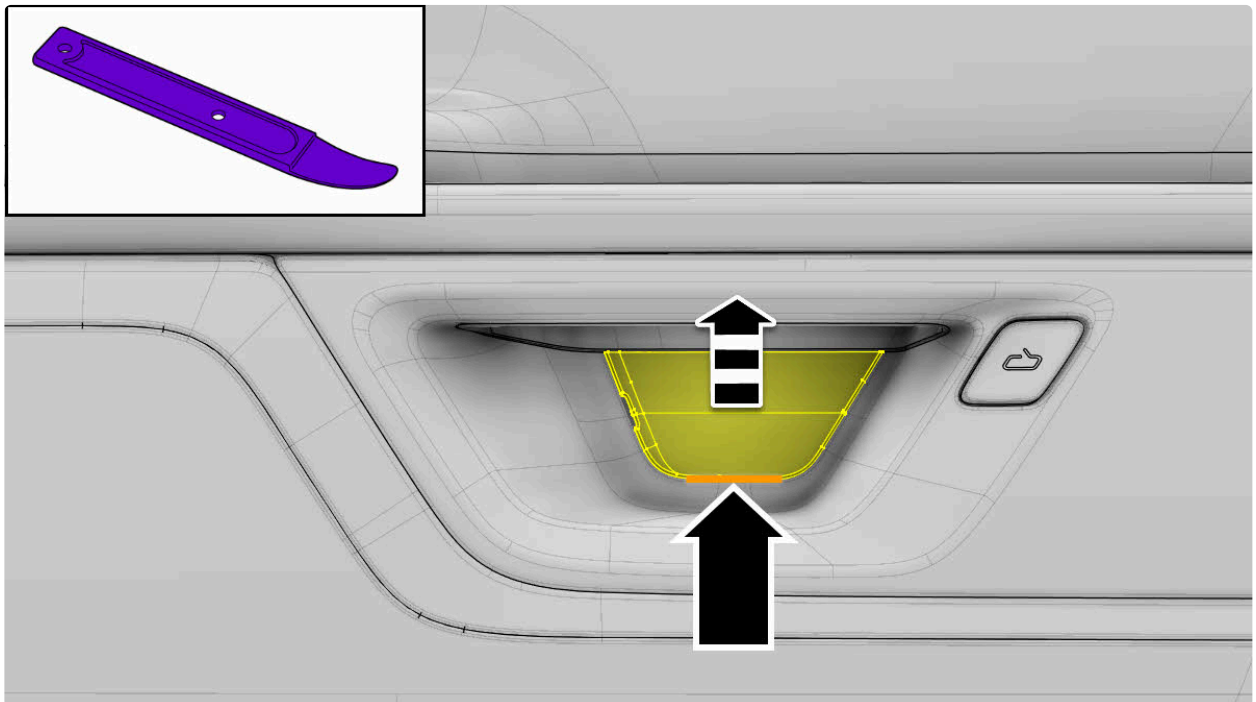


2. Model year 2025+ vehicles:

a. Cover the highlighted area(s) with protective material to prevent damage.



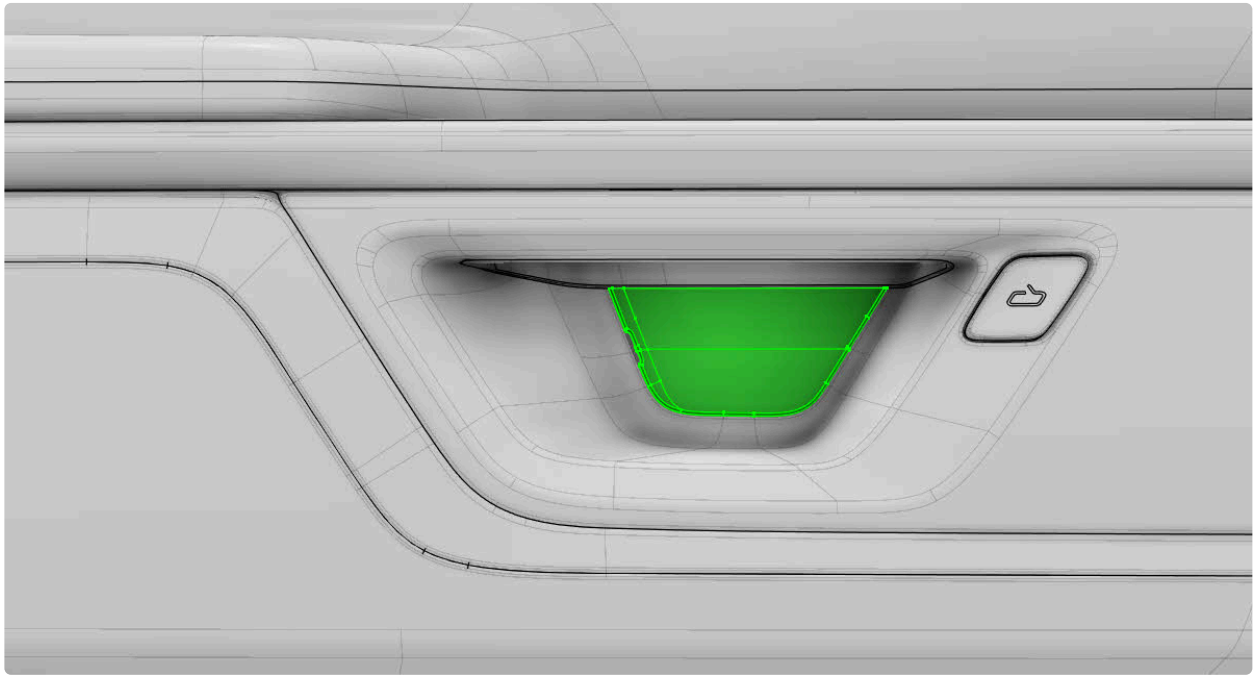
b. While pulling up on the component: Insert the thin metal pry tool in the location shown.



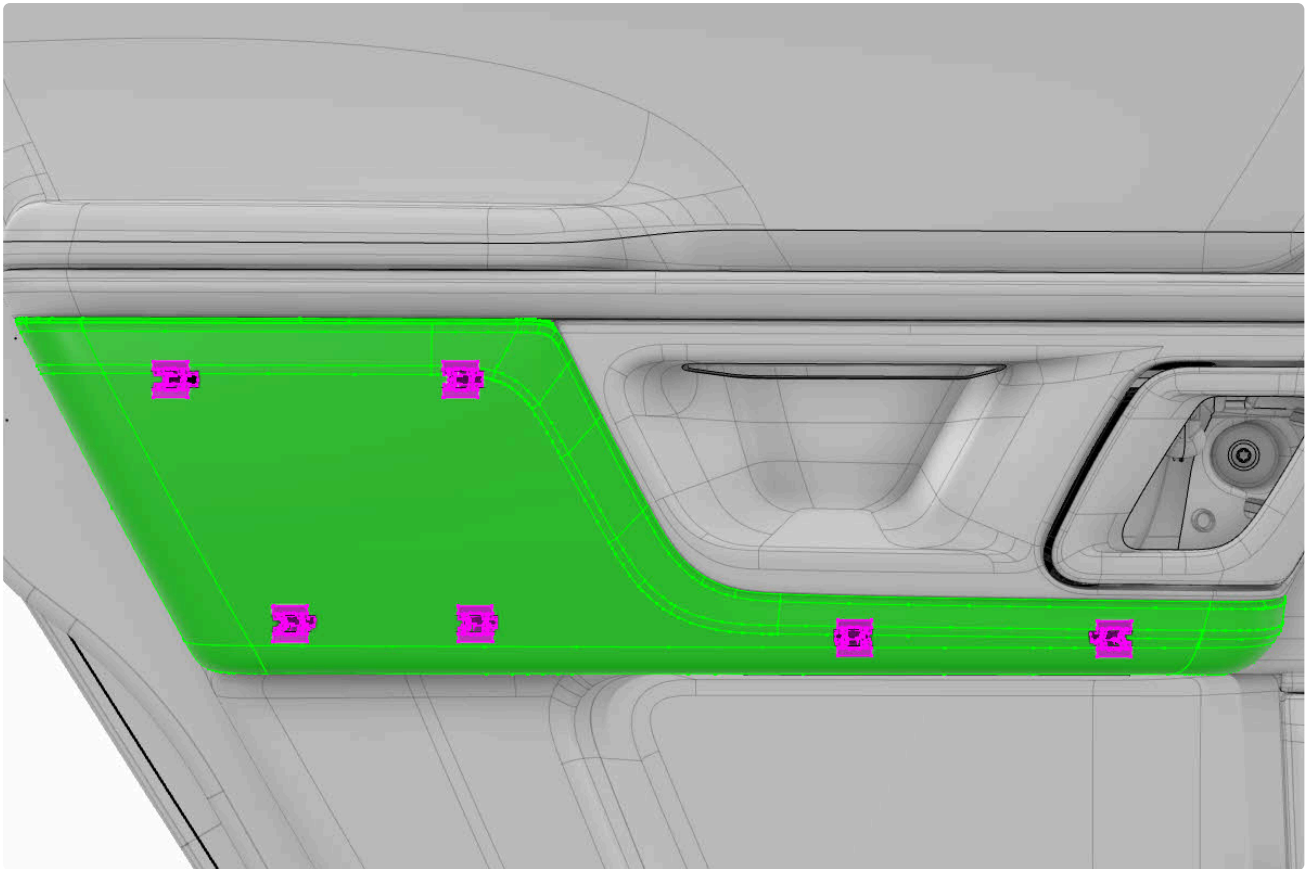
c. Pry to release the component.

CAUTION:

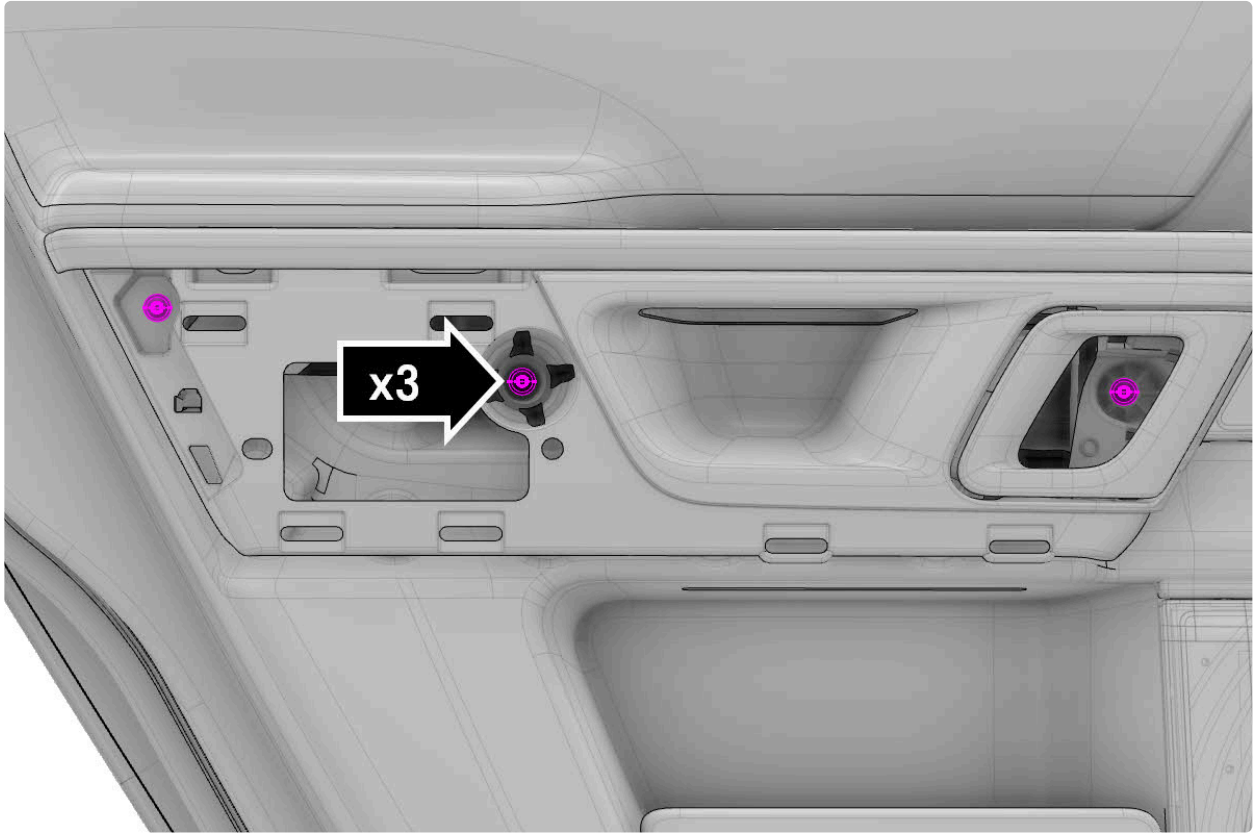
The surrounding component is easily damaged. Do not twist the tool while prying.



3. Use a trim tool to pry near the highlighted clip(s).



4.
 - Model year 2022-2024 vehicles:

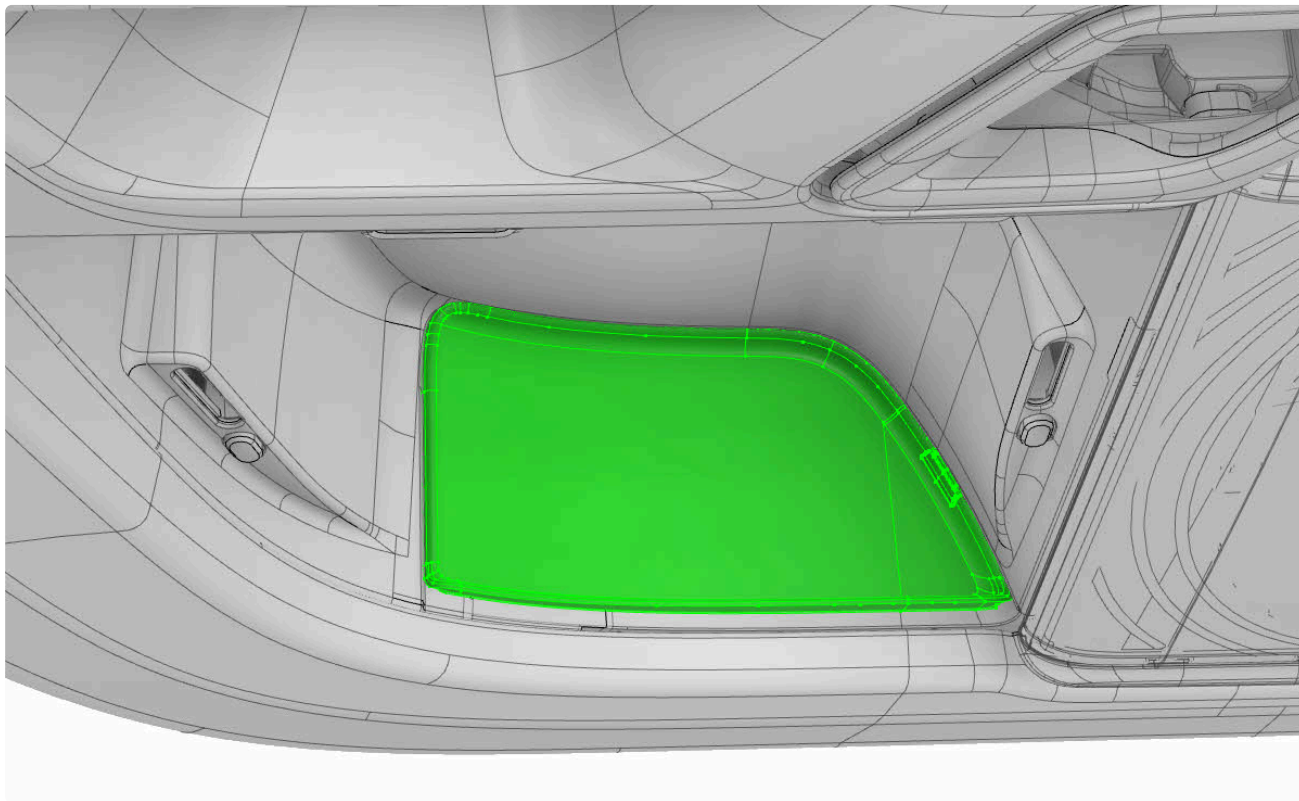


- Model year 2025+ vehicles:



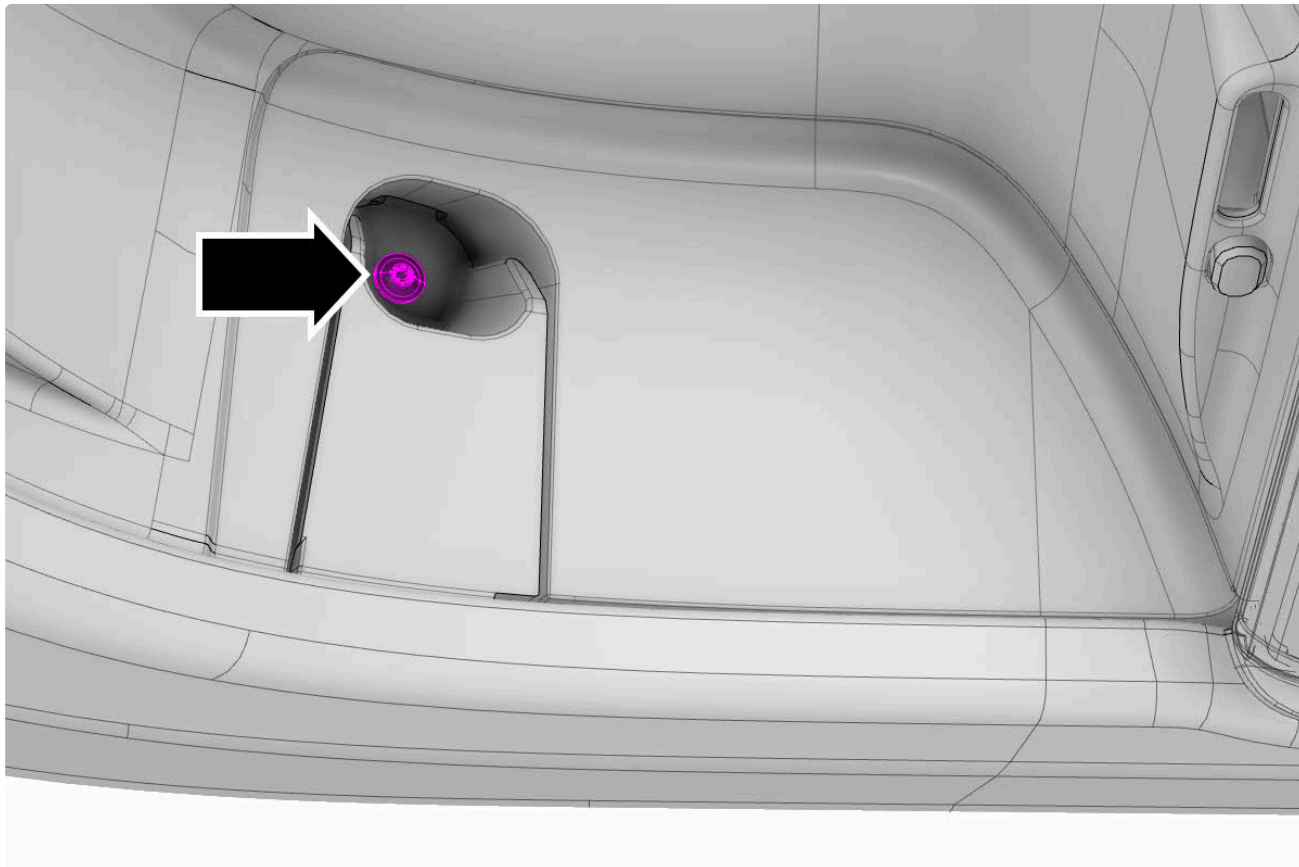
Torque: 2.6 Nm

5.



Note:
Shown with components removed for clarity.

6.



Note:
Shown with components removed for clarity.

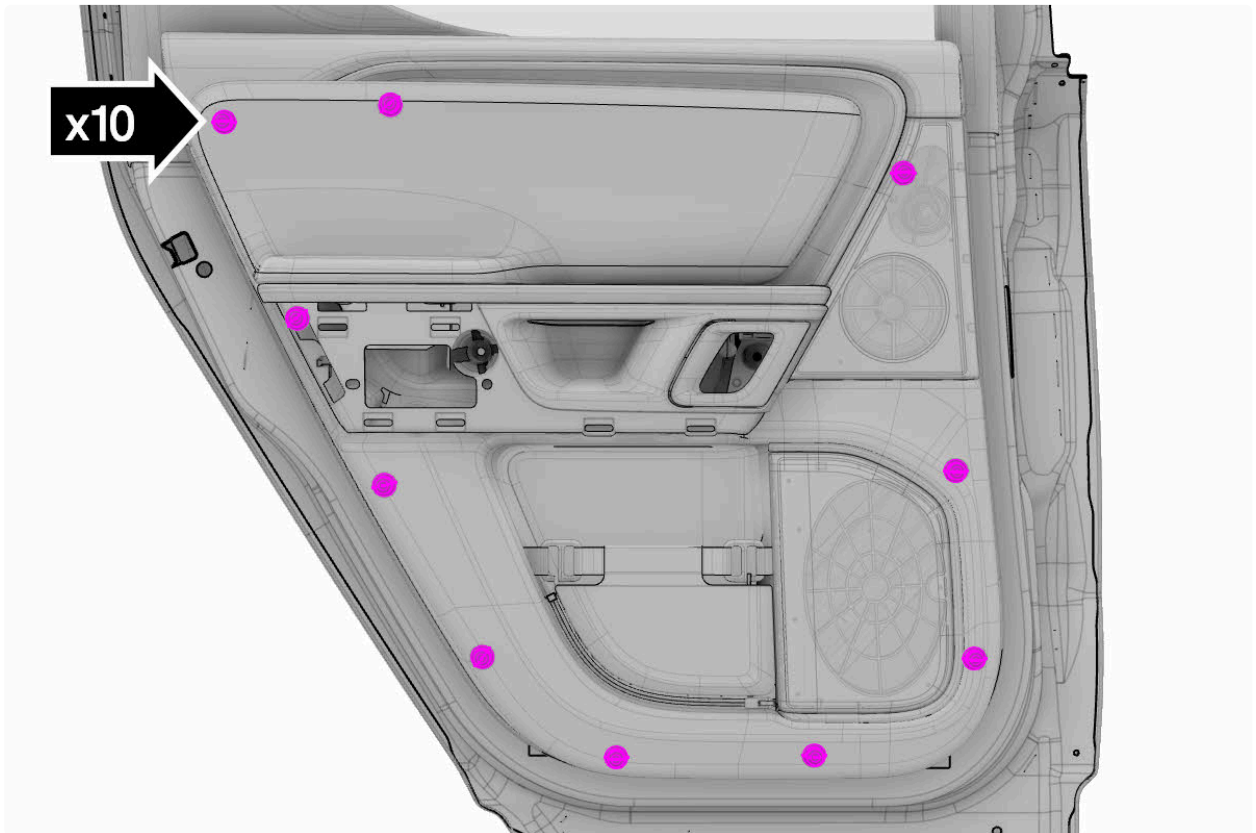
Torque: 2.6 Nm

7.

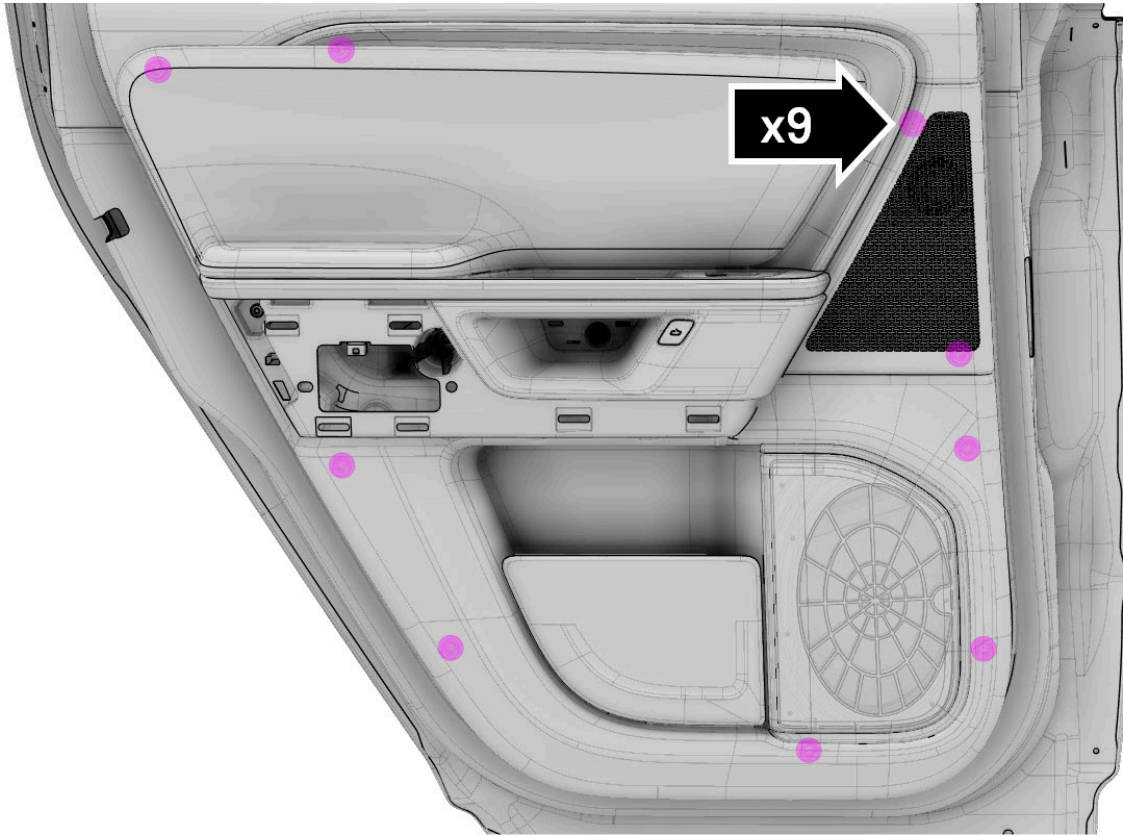


8. Starting from the bottom: Use a trim tool to pry near the highlighted clip(s).

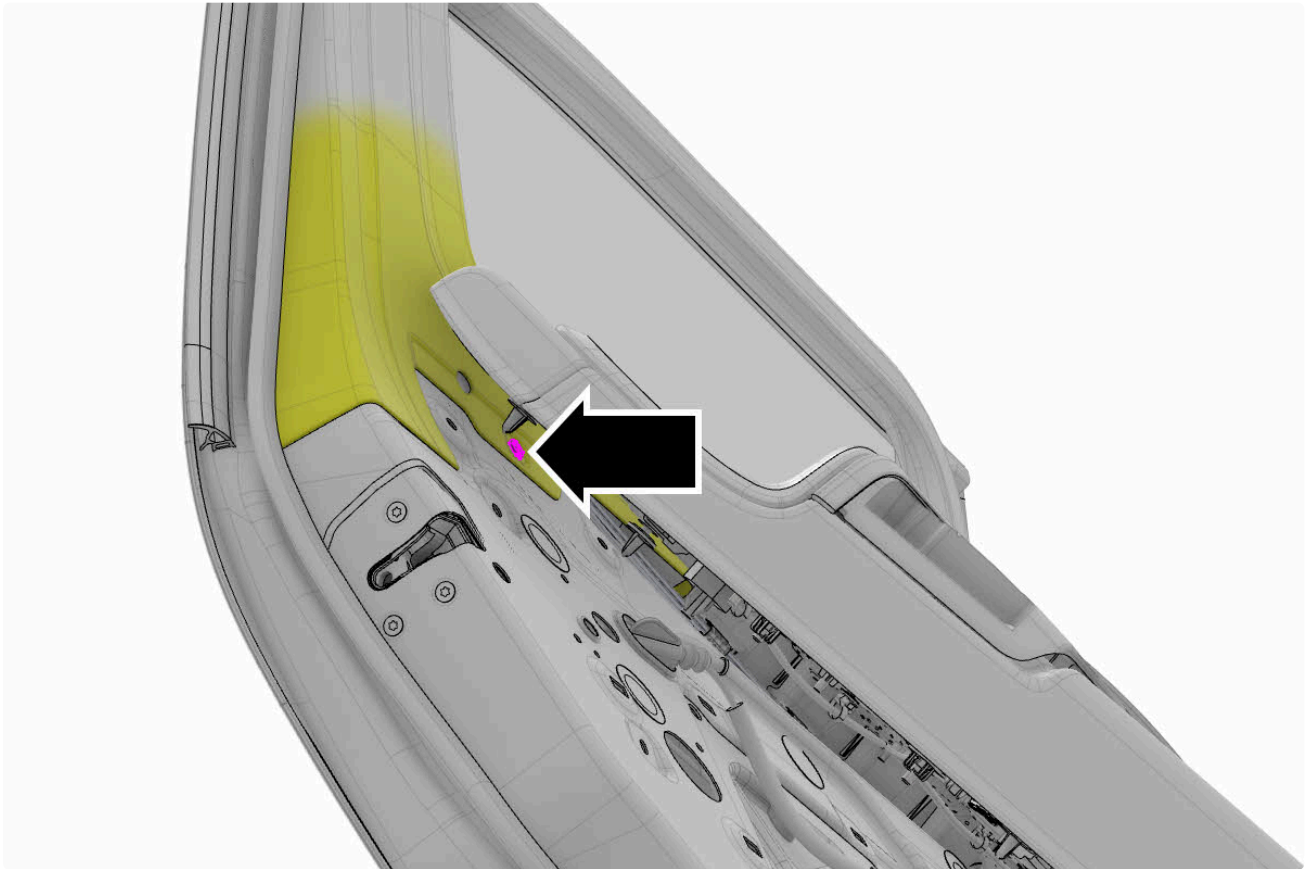
- Model year 2022-2024 vehicles:



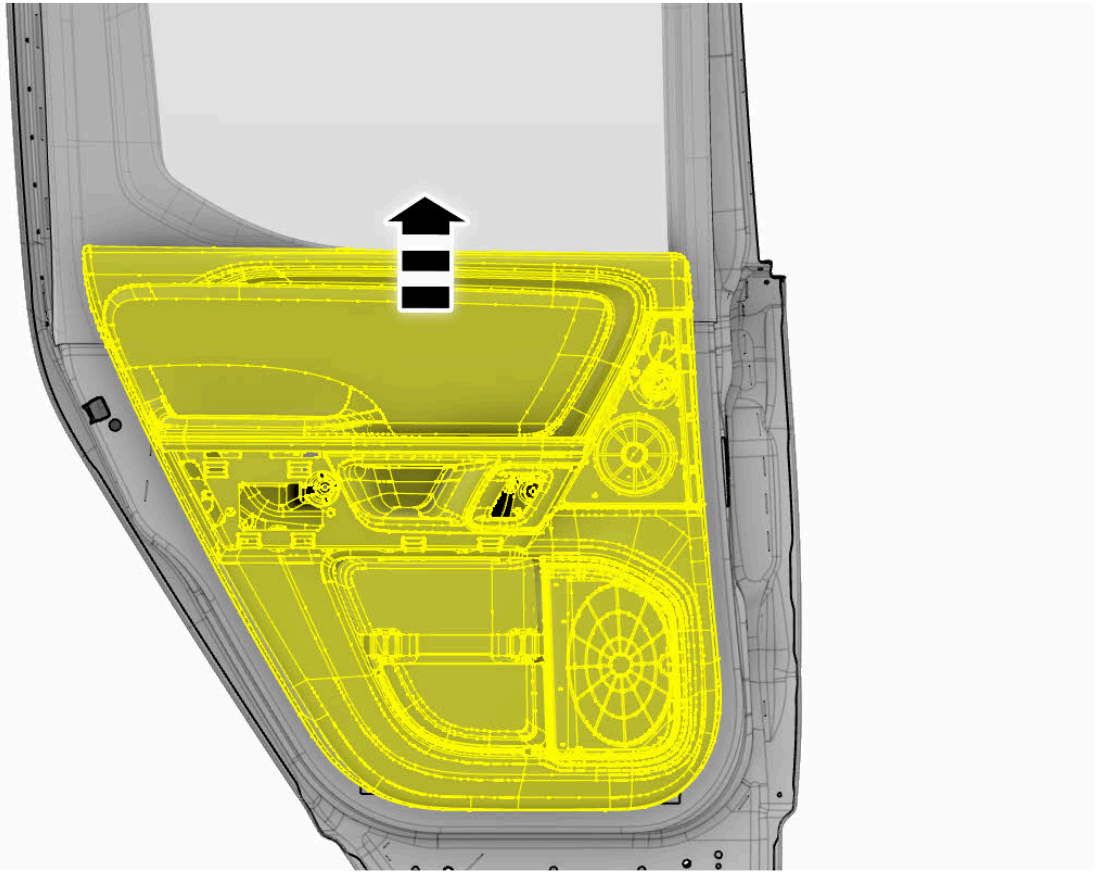
o Model year 2025+ vehicles:



9.



10.



Note:

Do not fully remove the component at this time.

CAUTION:

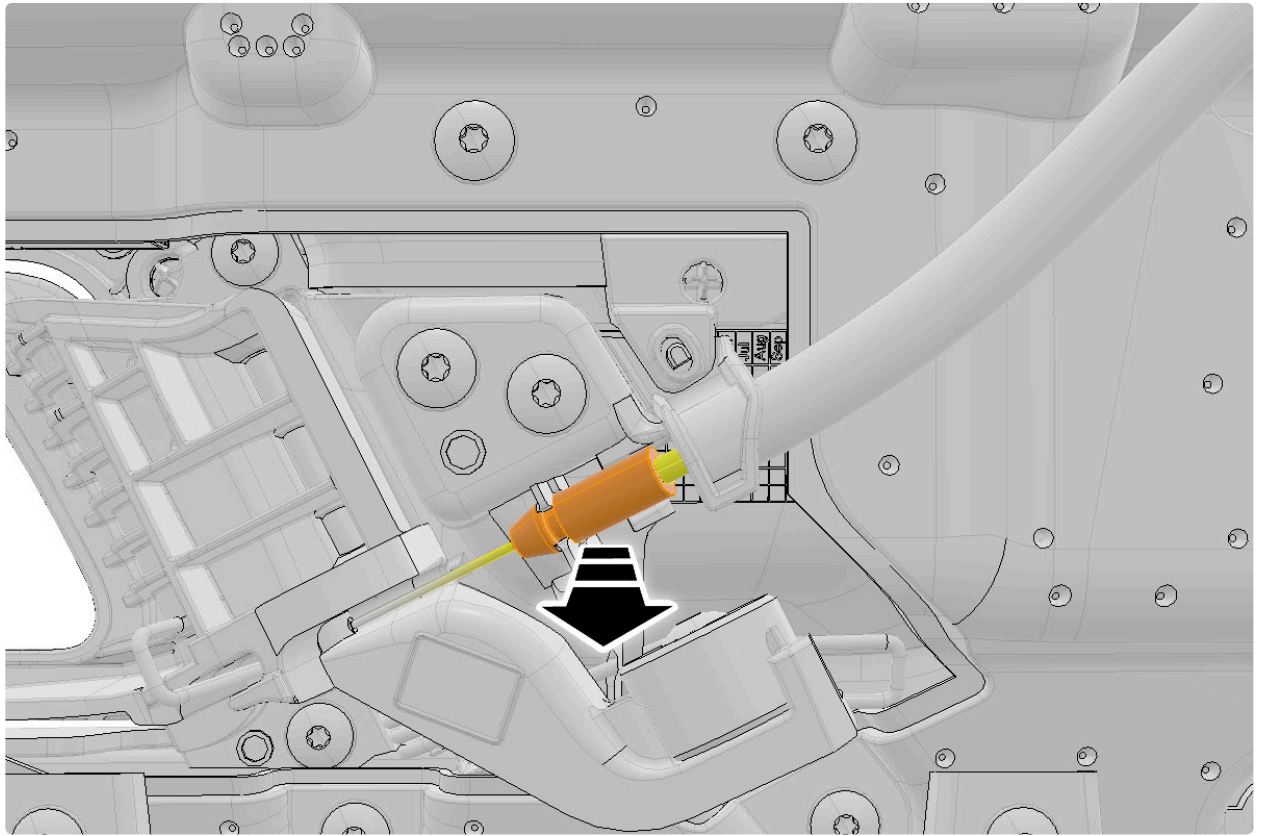
Do not allow the component to hang from the door release cable or harness. Support the component until the door release cable and harness are disconnected.

11. Model year 2022-2024 vehicles:

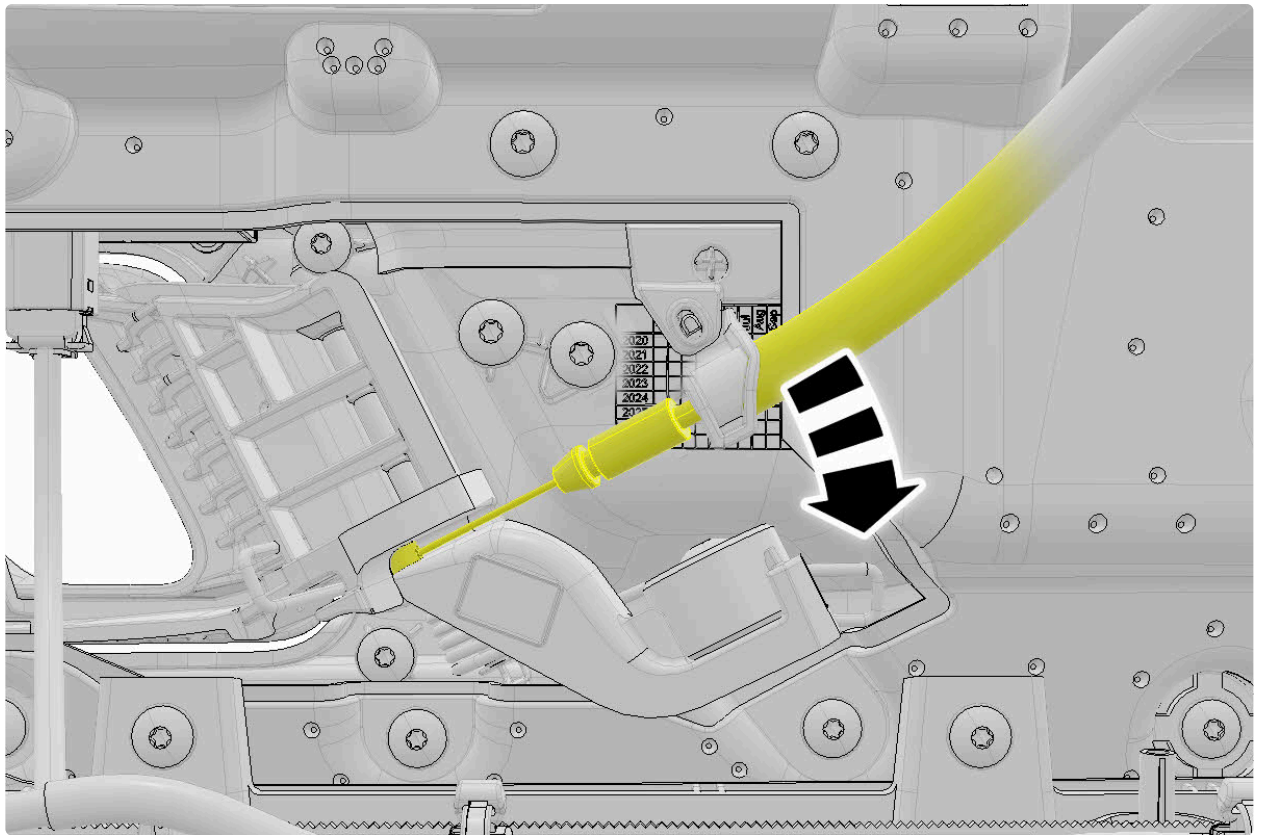
a.

CAUTION:

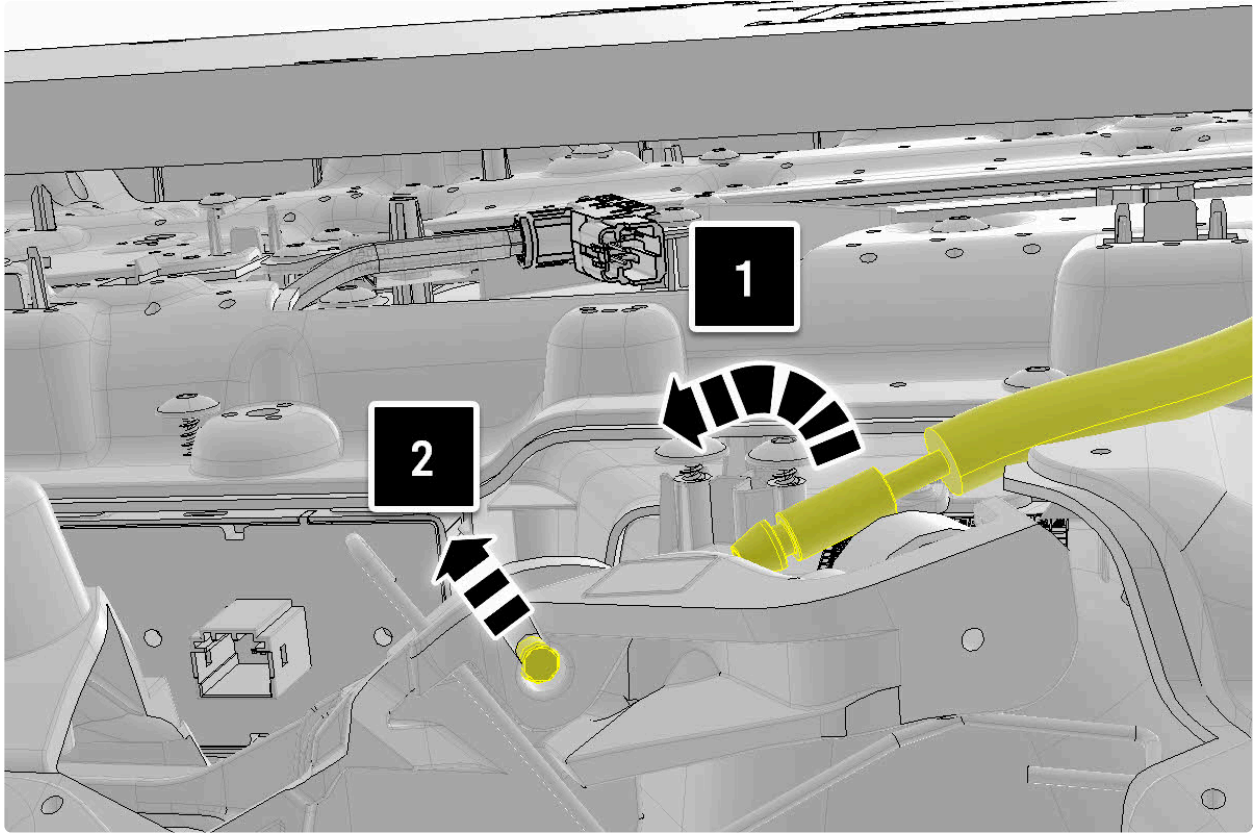
Pry in the highlighted area(s) only.



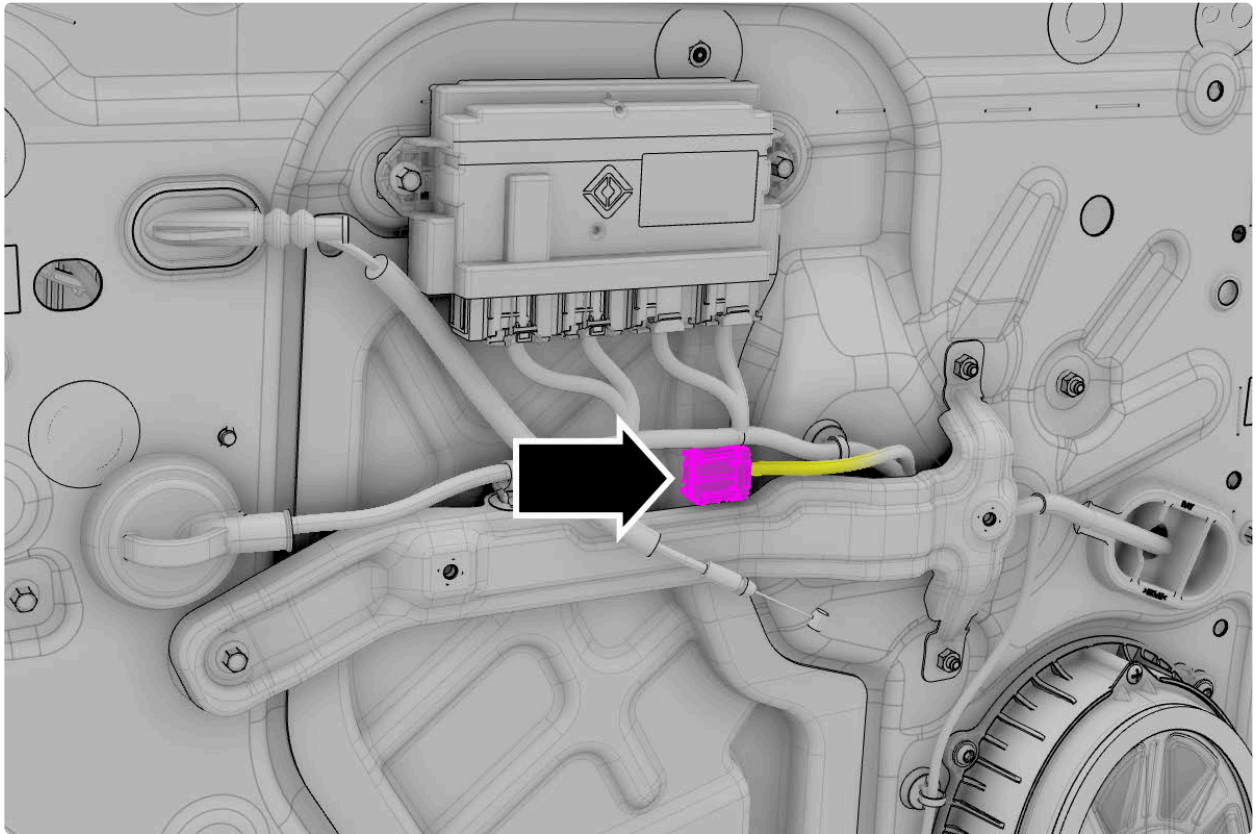
b.



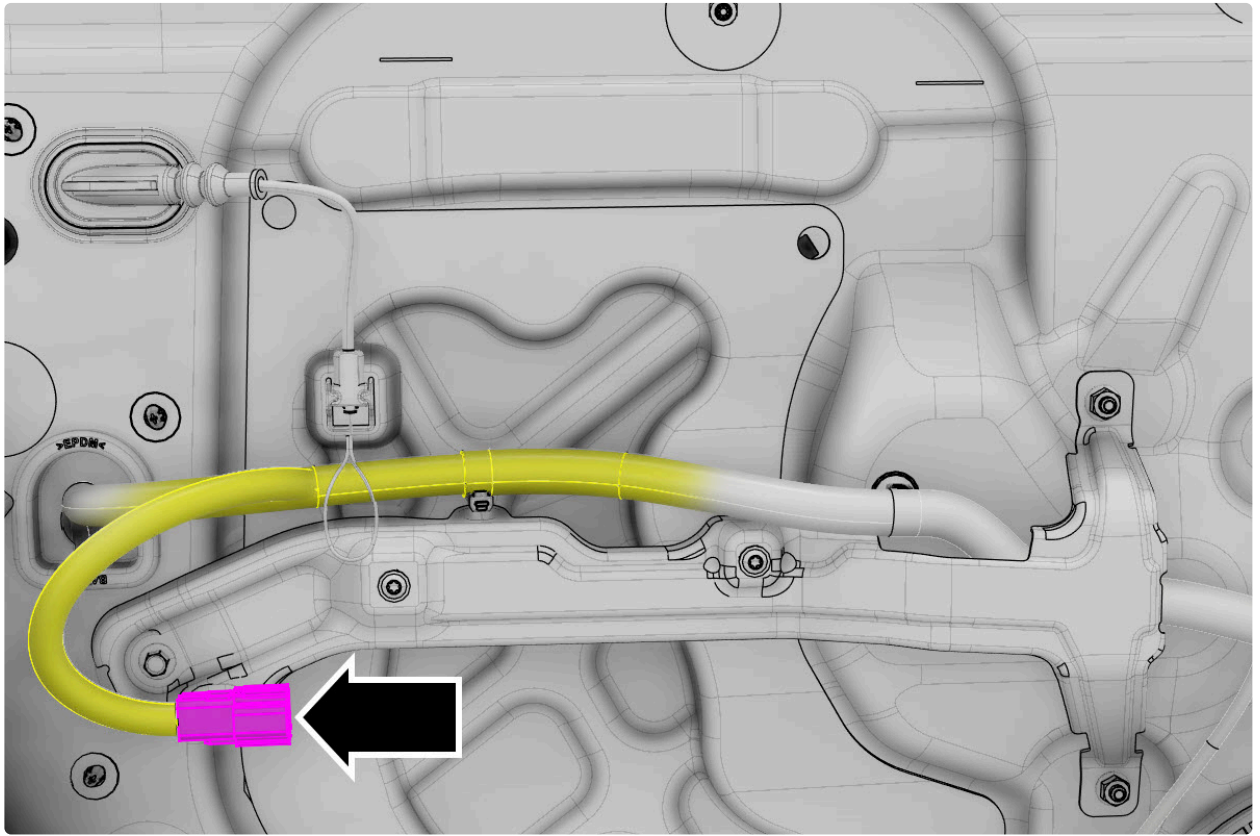
c.



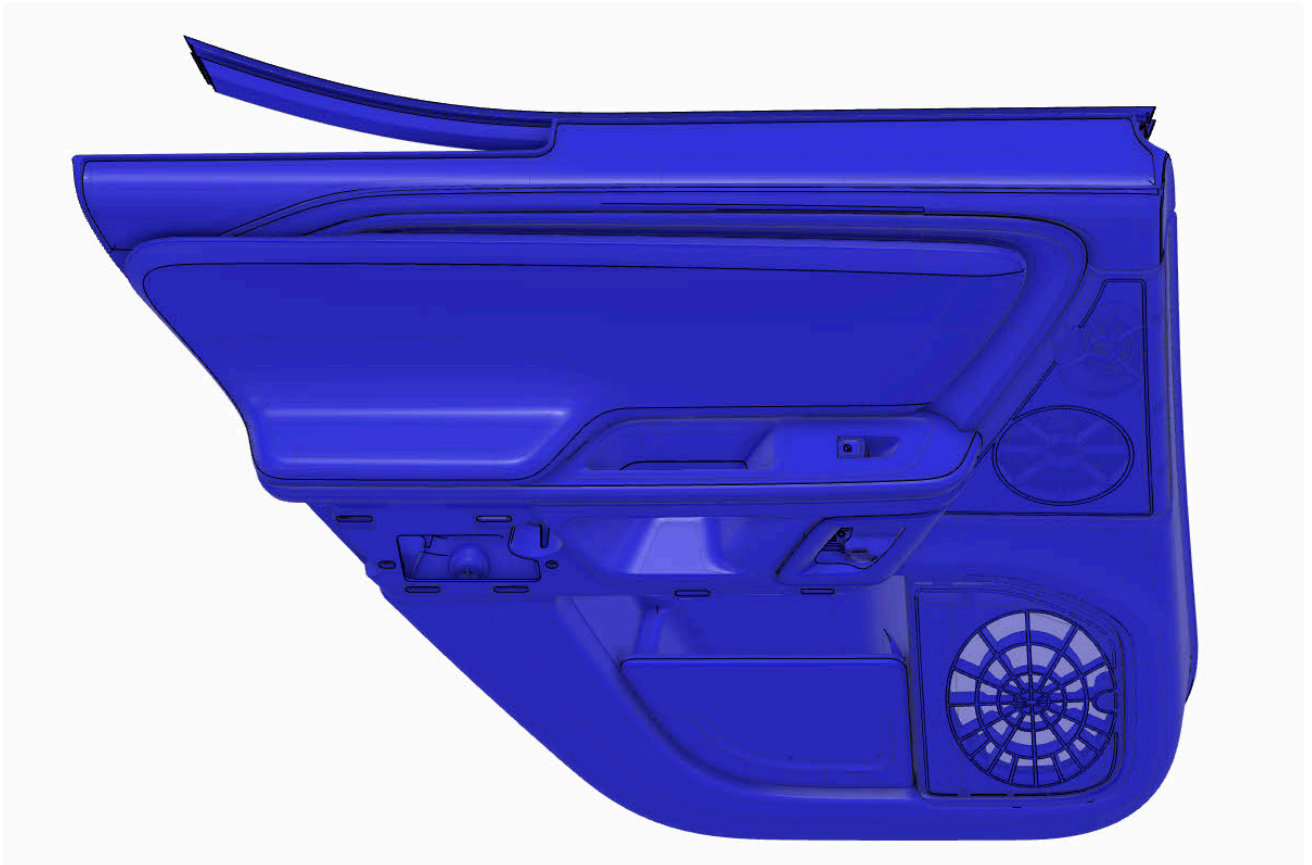
12. ◦ Model year 2022-2024 vehicles:



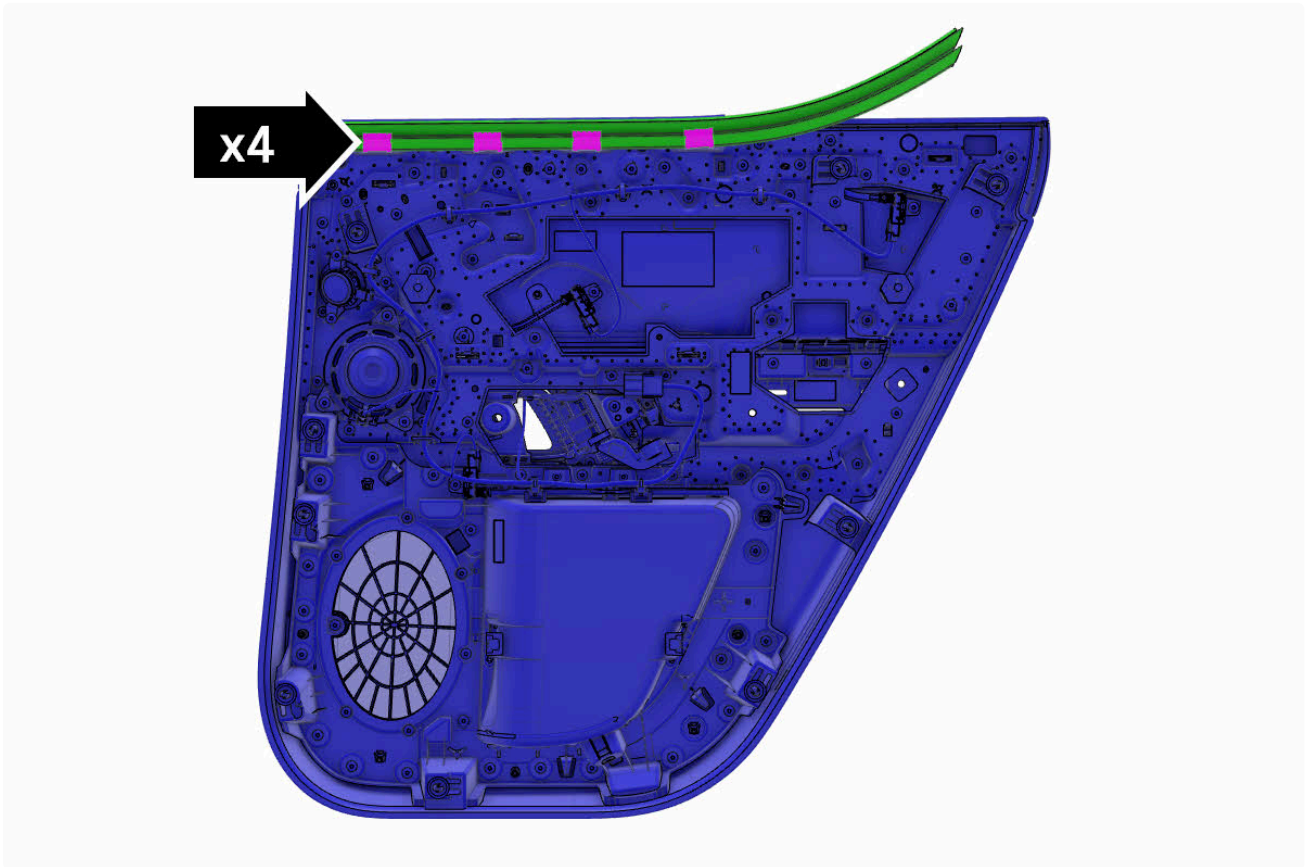
- o Model year 2025+ vehicles:



13. Remove as an assembly.



14. Use a trim tool to pry near the highlighted clip(s).



Installation

Installation is the reverse of removal, except for the following:

- Replace any damaged clips.
- Make sure the highlighted components are properly installed.

